



Century Series

C-2, C-4, C-6

Bill Changers

Field Service Manual and Parts Catalog

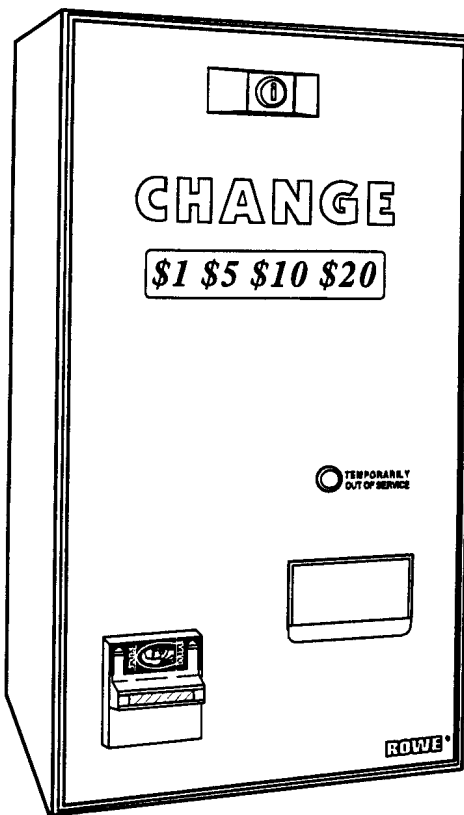


Part No. 25553601
Second Edition

Century Series

C-2, C-4, C-6
Bill Changer

Field Service Manual and Parts Catalog



Rowe International, Inc.

1500 Union Ave., SE • GRAND RAPIDS, MI 49507-1884 • (616) 243-3633

Printed in USA

Preface

The Century Series is an all new model bill changer. This manual has been designed and organized to provide you with an easy-to-use source of service information.

This service manual is divided into eight sections:

- **Section 1: SYSTEM DESCRIPTION** — Introduces you to the C-2, C-4, C-6, their features, and their major components. A Sequence of Operation Flowchart details Bill Changer operation.
- **Section 2: INSTALLATION** — Provides you with the information that you need to install your Bill Changer safely and securely.
- **Section 3: LOADING & AUDITING** — Outlines instructions for loading and unloading the Bill Changer coin hopper, as well as a basic auditing procedure to guard against loss of money from theft or malfunction.
- **Section 4: PROGRAMMING** — Gives instructions for changing Bill Changer default (factory) programming.
- **Section 5: MAINTENANCE & ADJUSTMENTS** — Provides instructions for removing Bill Changer components for service, and details mechanical maintenance procedures.
- **Section 6: TROUBLESHOOTING & SELF-DIAGNOSTICS** — Describes the meaning of Bill Changer fault codes, as well as remedies for each. This section also describes miscellaneous problems that can occur but may not cause a fault code to be displayed, as well as checking procedures used to verify that the Bill Changer is functioning properly.
- **Section 7: TECHNICAL INFORMATION** — Contains the Bill Changer System Schematic Diagram, as well as the board layout and components list for the Control Computer.
- **Section 8: PARTS CATALOG** — Lists and illustrates all replaceable modules in the Bill Changer.

This manual is intended for owners, route operators, and technicians. This manual provides all field and shop related service and maintenance material. Accessories and their installation and service are discussed in the corresponding accessory instructions (or manuals).

Specific Bill Acceptor information is discussed in the *Bill Acceptor Field Service Manual and Parts Catalog* included with your Bill Changer.

Contents

PREFACE ii
 CENTURY SERIES BILL CHANGER MAJOR COMPONENTS vi

SECTION 1: SYSTEM DESCRIPTION

INTRODUCTION 1-1
 FEATURES 1-1
 GENERAL OPERATION 1-2
 SYSTEM COMPONENTS 1-2
 BILL ACCEPTOR..... 1-2
 SEQUENCE OF OPERATION FLOWCHART 1-3
 DISPENSER 1-4
 HOPPER 1-4
 CHANGER CONTROL COMPUTER (CCC) 1-5
 Status Display 1-6
 Service and Control Switches..... 1-6
 PROGRAM/NORMAL Slide Switch..... 1-6
 MODE Button 1-6
 UP Button 1-6
 DOWN Button 1-6
 TEMPORARILY OUT OF SERVICE LAMP 1-7
 ELECTRICAL BOX 1-7

SECTION 2: INSTALLATION

INTRODUCTION 2-1
 BILL CHANGER MOUNTING & SPECIFICATIONS 2-1
 C-2/4 MOUNTING DIAGRAM..... 2-2
 C-6 MOUNTING DIAGRAM 2-4
 POWER CONNECTION 2-6
 LINE CORD 2-6
 CONDUIT 2-6

SECTION 3: LOADING & AUDITING

INTRODUCTION 3-1
 LOADING THE BILL CHANGER 3-1
 LOADING THE HOPPER 3-2
 UNLOADING THE HOPPER C-2/4 3-3
 UNLOADING THE HOPPER C-6 3-4
 AUDITING 3-5

SECTION 4: PROGRAMMING

PROGRAMMING THE CENTURY 2 AND CENTURY 4 BILL CHANGES	4-1
PROGRAMMING	4-2
Coin Acceptor Settings	4-2
Bill Acceptor Settings	4-3
Money Meter Settings	4-4
Coin Level Settings	4-4
Recommended Settings	4-5
BILL PAYOUT SETTINGS	4-6
PROGRAMMING EXAMPLES	4-7

SECTION 5: MAINTENANCE AND ADJUSTMENTS

INTRODUCTION	5-1
BILL ACCEPTOR	5-1
REMOVING A JAMMED BILL	5-1
REMOVING THE BILL ACCEPTOR	5-2
INSTALLING THE BILL ACCEPTOR	5-2
HOPPER	5-3
REMOVING THE HOPPER	5-3
CLEANING THE HOPPER COIN PATH	5-3
HOPPER CHAIN ADJUSTMENT	5-5
DISPENSER	5-6
REMOVING THE DISPENSER ASSEMBLY	5-6
INSTALLING THE DISPENSER ASSEMBLY	5-6

SECTION 6: TROUBLESHOOTING & SELF-DIAGNOSTICS

INTRODUCTION	6-1
TROUBLESHOOTING	6-2
CLEARING BILL CHANGER ERROR CODES	6-2
ERROR CODES	6-2
Er 1	6-3
Er 2	6-3
Er 3	6-4
Er 4	6-4
Er 5	6-4
Er 6	6-5
Er 7	6-6
Er 8	6-6
Er 9	6-7
Er10	6-7
Er12	6-8
Er13	6-8
Er14	6-8
Er15	6-8
Er16	6-9
Er21 or Er22 or Er23	6-9
--	6-10
MISCELLANEOUS PROBLEMS	6-11
ERRATIC PAYOUT	6-11
LARGE NUMBER OF VALID BILLS REJECTED	6-11
BILLS JAM FREQUENTLY	6-11
COIN COUNTING PHOTOTRANSISTOR (SENSOR) CHECK	6-12
LOW COIN SENSOR ELECTRICAL CHECK	6-13

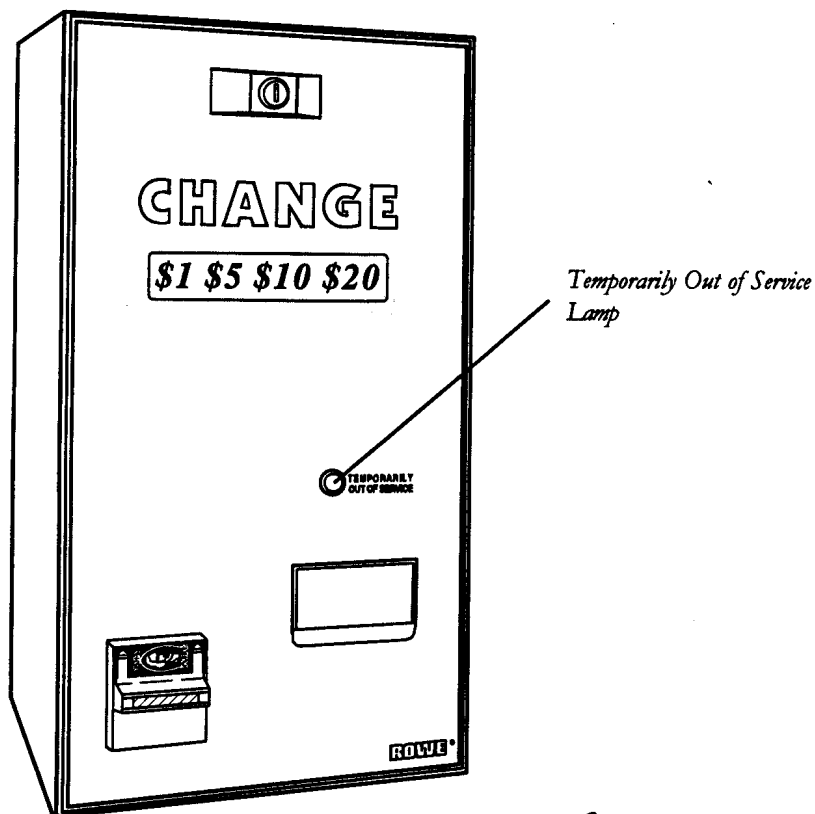
SECTION 7: TECHNICAL INFORMATION

INTRODUCTION	7-1
CCC Circuit Board Layout	7-2
CCC CIRCUIT BOARD COMPONENTS LIST	7-3
BILL CHANGER SYSTEM SCHEMATIC	See Accessory Bag (Eng. Draw.. 25553301 Q2)

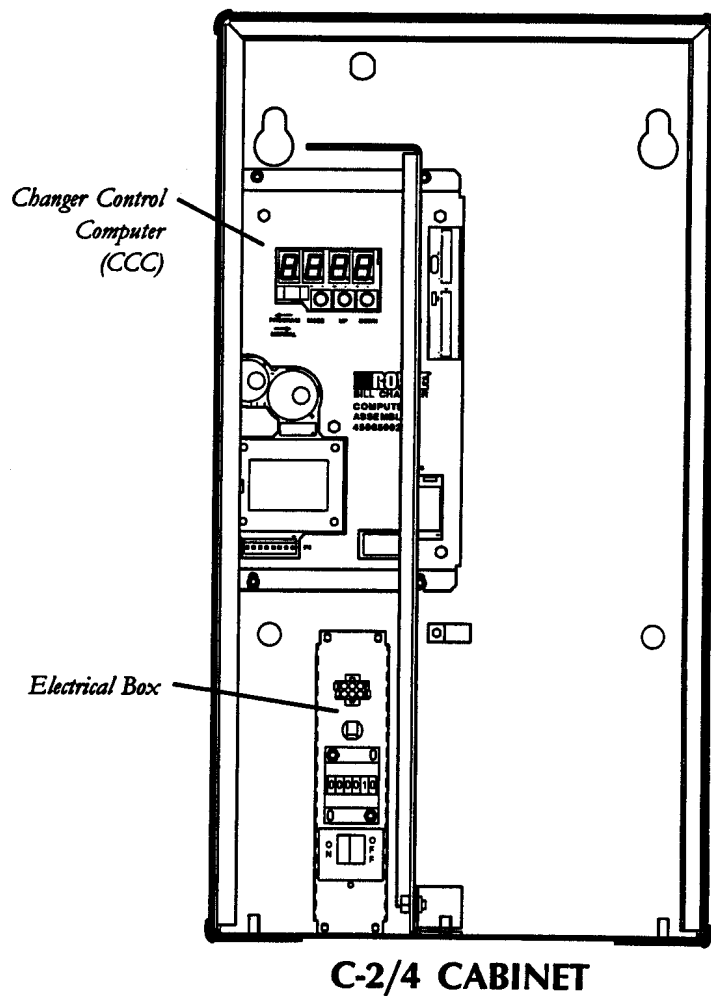
SECTION 8: PARTS CATALOG

INTRODUCTION	8-3
Catalog Description	8-3
Parts List Description	8-3
Ordering Replacement Parts	8-3
PARTS CATALOG	8-4
ACCESSORY KITS	8-27

Figure 1-1
Century Series
Bill Changer
Major Components
(Sheet 1)

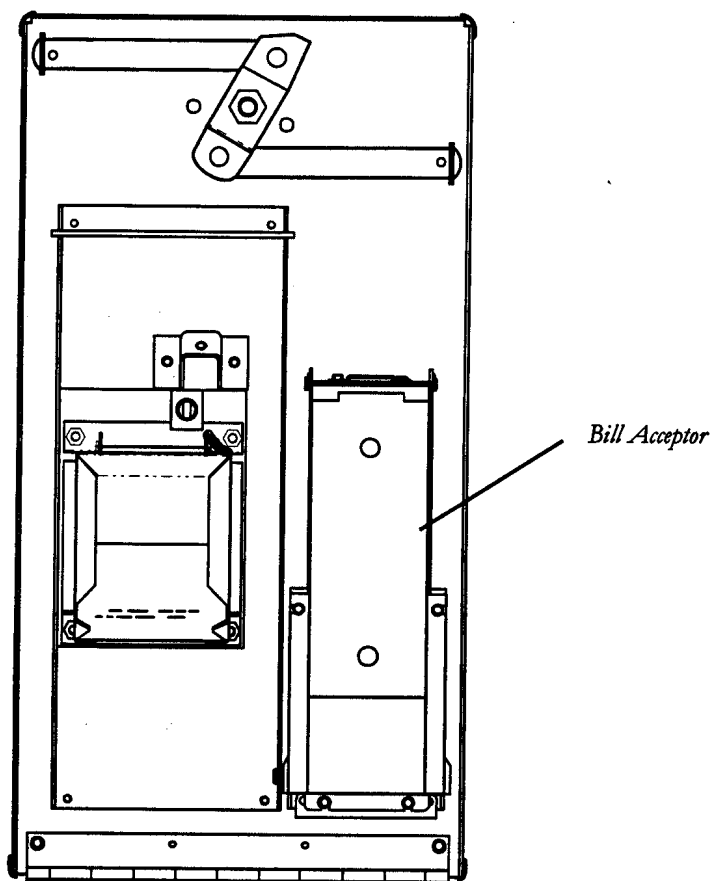


C-2/4

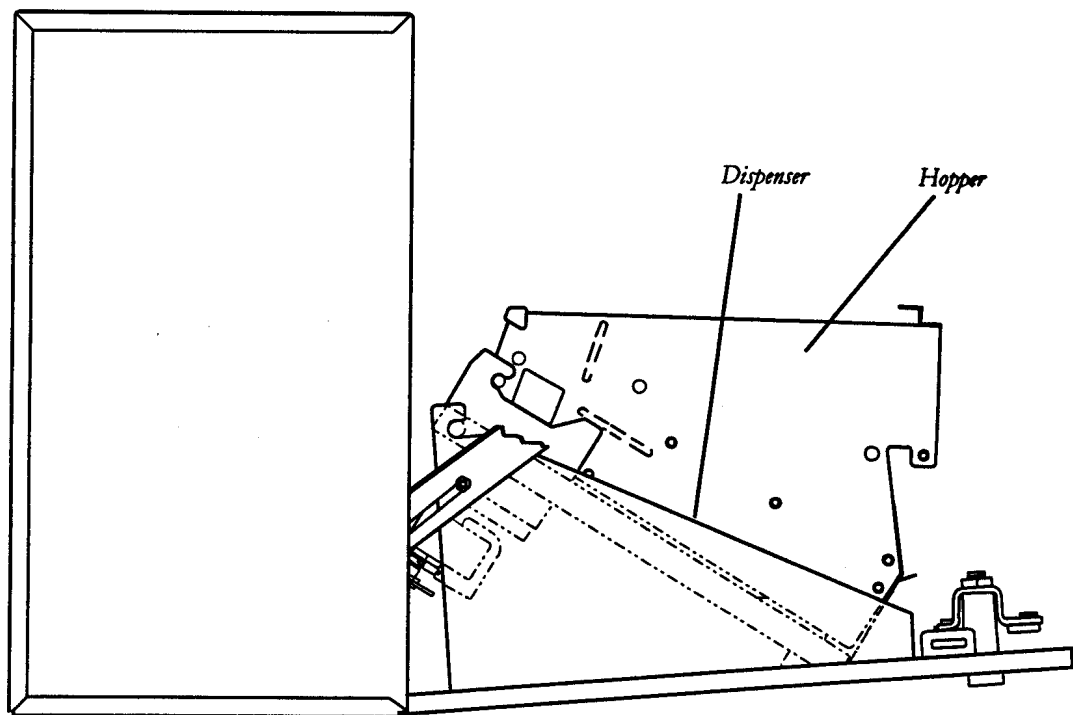


C-2/4 CABINET

Figure 1-1
Century Series
Bill Changer
Major Components
(Sheet 2)

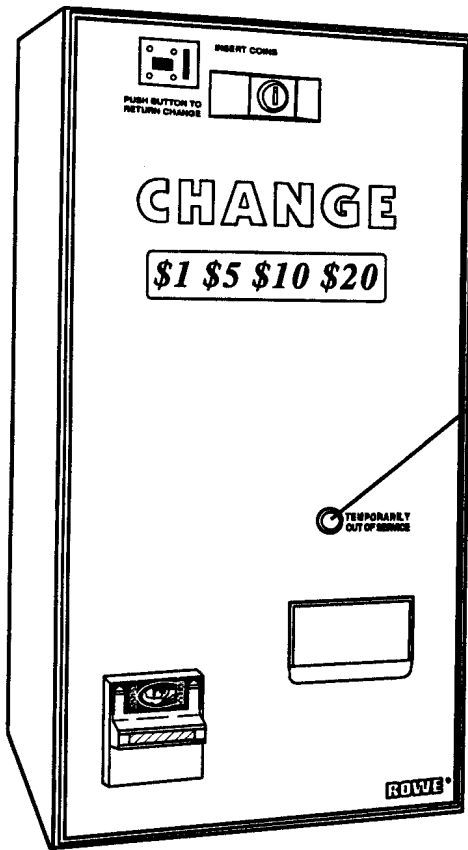


C-2/4 BACK OF DOOR
(Hopper & Dispenser Removed)



C-2/4 SIDE VIEW, DOOR OPEN

Figure 1-1
Century Series
Bill Changer
Major Components
(Sheet 3)



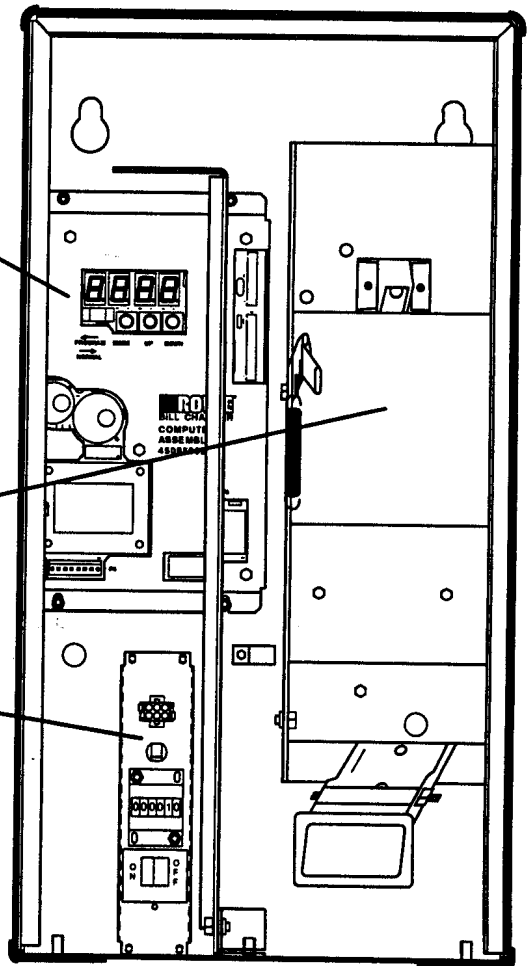
C-6

Temporarily Out of Service
Lamp

Changer Control
Computer
(CCC)

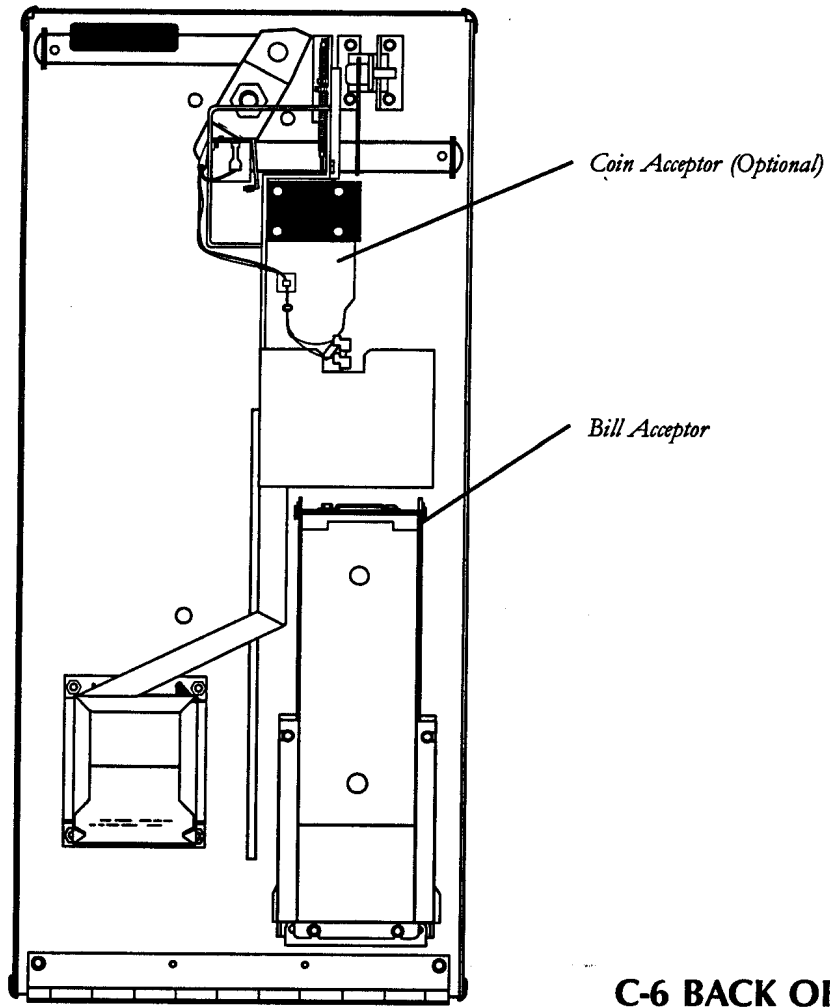
Dispenser

Electrical Box



C-6 CABINET
(Hopper Removed)

Figure 1-1
Century Series
Bill Changer
Major Components
(Sheet 2)



C-6 BACK OF DOOR

This page intentionally left blank

SECTION 1:

SYSTEM DESCRIPTION

INTRODUCTION

NOTE:

Throughout this manual, the word "coin" is used to refer to either coins or tokens, interchangeably.

The Rowe® Century Series C-2 Bill Changer will accept 1 dollar (\$1) and 5 dollar (\$5) bills and the C-4 and C-6 Bill Changers can accept \$1 thru \$100 bills of United States currency. Using the appropriate bill acceptor, up to 7 denominations of any non-U.S. currency can be accepted. The unit can be programed by the operator to accept any or all of the bills. Figure 1-1 illustrates the major components of the Bill.

The Bill Changer can dispense one type of coin or token at a time. The number of coins dispensed for each bill denomination accepted is programmable.

FEATURES

- A microcomputer inside the Bill Changer monitors system status, accepts credit inputs from the bill acceptor or coin acceptor (when used), and controls the change dispensing functions.
- Modular assemblies are featured for fast field substitution.
- Setup and programming options are easily changed using the MODE, UP and DOWN pushbutton switches.
- The removable coin hopper permits rapid bulk loading of coins.

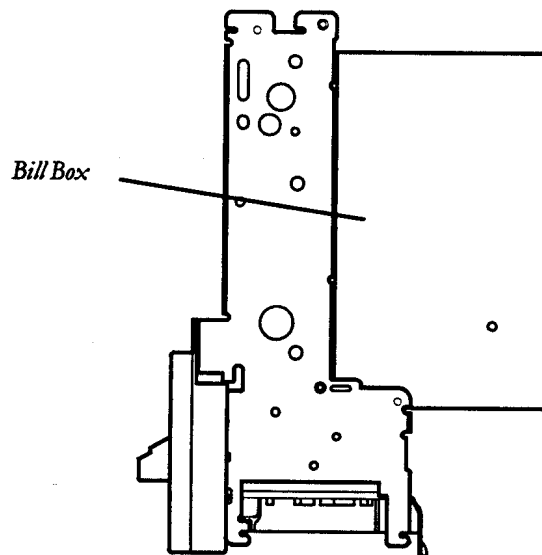
GENERAL OPERATION

The Bill Changer Sequence of Operation Flowchart (*Table 1-1, opposite*) gives an overview of the Bill Changer sequence of operation, from the time that a bill is inserted into the changer until coins fall into the Coin Cup. For detailed information regarding the location and function of individual Bill Changer components, refer to *System Components*, which follows.

SYSTEM COMPONENTS

Refer to *Figure 1-1* for placement of each of the following Bill Changer components:

Figure 1-2
Bill Acceptor



BILL ACCEPTOR*

The bill acceptor accepts and validates \$1 and \$5 or \$1 thru \$100 bills depending on the bill acceptor. It stacks valid bills in a bill box that opens for easy bill removal. The bill acceptor mounts on the back of the Bill Changer door.

For specific bill acceptor information refer to the bill acceptor field service manual and parts catalog included with the Bill Changer.

* Rowe® Bill Acceptor pictured. Your changer may be equipped with an Acceptor from another manufacturer.

Bill Changer Sequence of Operation Flowchart

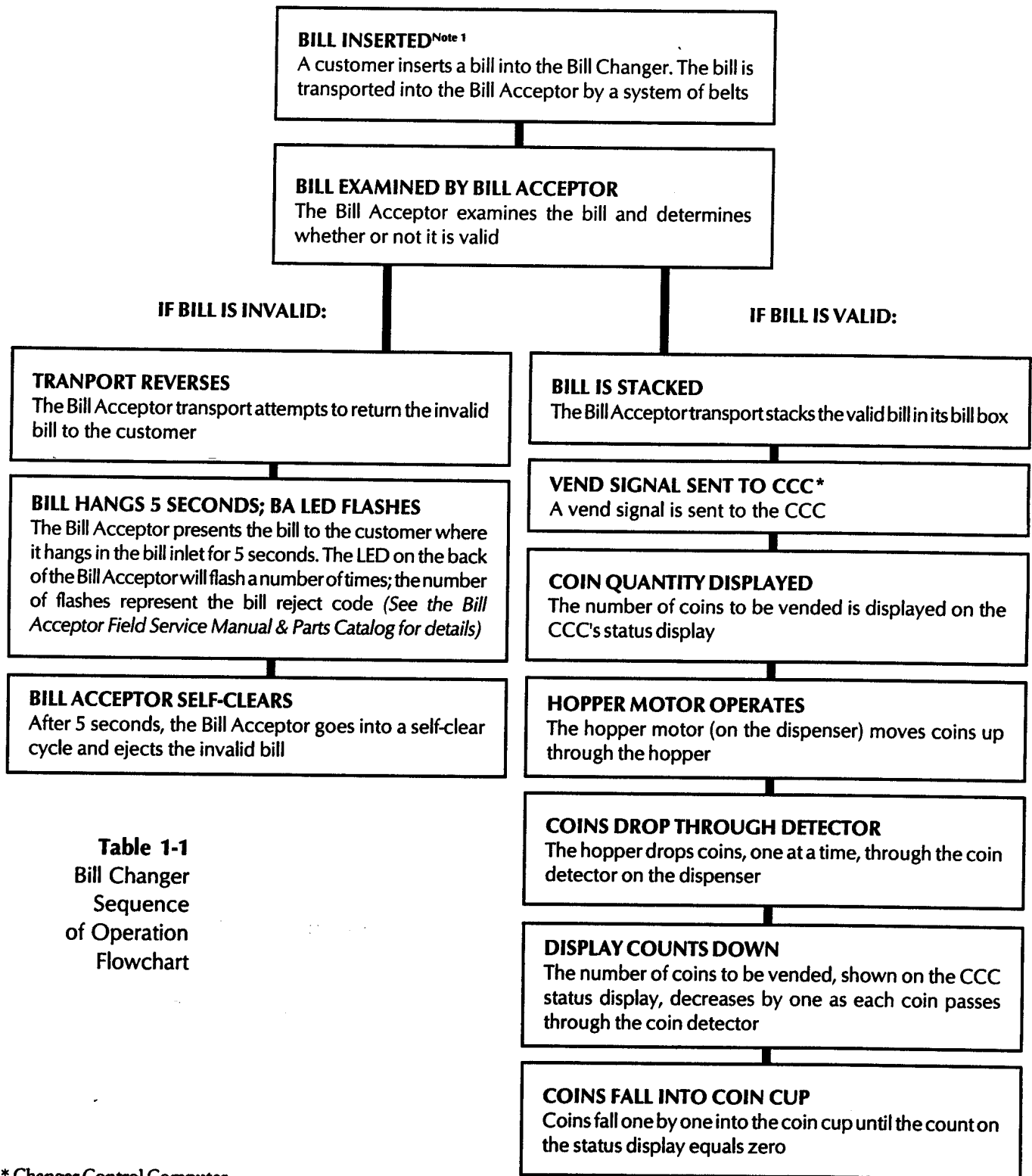


Table 1-1
Bill Changer
Sequence
of Operation
Flowchart

* Changer Control Computer

Note 1 The Bill Acceptor Operation described here is applicable when a Rowe® Bill Acceptor is used. Bill Acceptors from other manufacturers may operate differently.

DISPENSER

The Bill Changer coin dispenser (*Figure 1-3*) contains the coin detector system and the hopper motor. On the C-2/4 the dispenser mounts on a bracket on the back of the Bill Changer door. On the C-6 the dispenser mounts on a bracket in the cabinet.

The coin detector system consists of an LED and a photo-transistor, which “count” the coins as they exit the hopper and fall through the upper coin chute into the coin cup.

The hopper motor engages a sprocket that drives the hopper. This 110 VAC motor is controlled by the CCC.

Figure 1-3
Dispenser

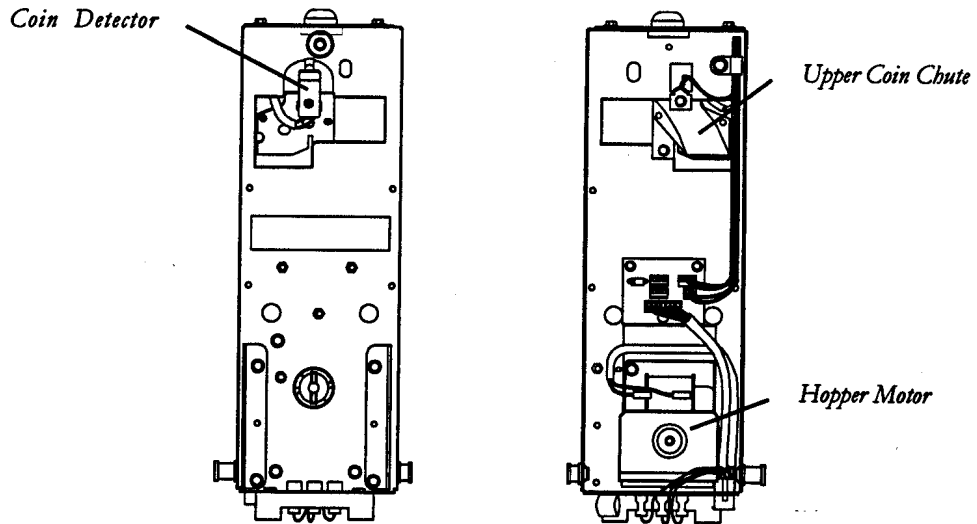
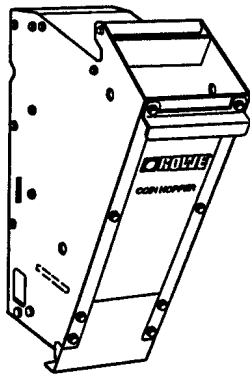


Figure 1-4
Hopper



HOPPER

The Bill Changer contains one hopper (*Figure 1-4*), which mounts on the front surface of the dispenser assembly and pivots out for easy removal.

The hopper transports coins to the coin detector and upper coin chute by means of a chain conveyor driven from below by a sprocket. The chain picks up coins from the bottom of the hopper and carries them up to the top, where they fall through the upper chain guide ring and through the coin detector system.

The hopper chain follows a serpentine path that causes excess coins to fall back into the hopper. This ensures that only one coin per pin enters the coin counting area.

An agitator, which is mounted on the drive shaft inside the hopper, agitates the coin load to minimize coin jams in the hopper and to ensure efficient coin pick up. The hopper also contains the low coin sensor antenna and circuit board.

NOTE:

The low coin sensor alerts the computer when the number of coins in the hopper falls below a certain level.

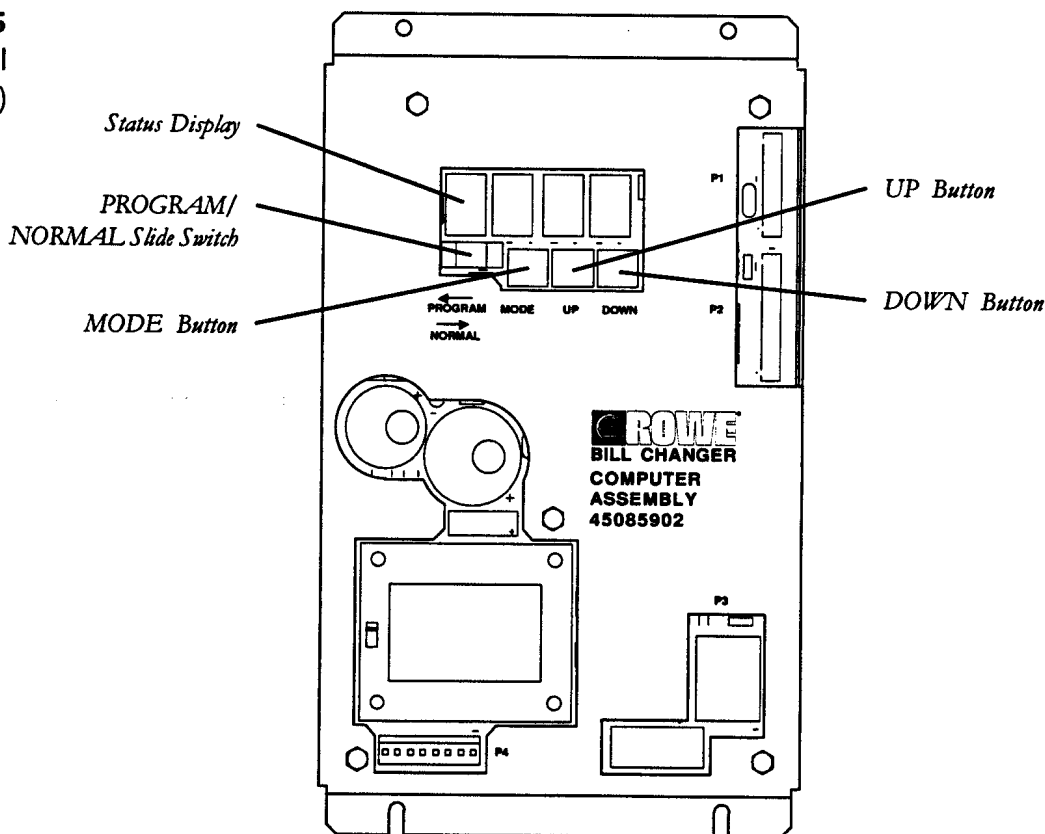
The Bill Changer uses the low coin sensing system which simplifies the day to day operation. With this system, the operator does not have to program the computer with the number of coins that have been added to the hopper. When the hopper is loaded, the sensing circuit will automatically signal the computer that coins are present. As the hopper is emptied via the normal changemaking process, eventually the level of coins will fall below the threshold required by the low coin sensing circuit. This circuit will then signal the computer that the low level has been reached.

The sensing circuit is mounted on the front surface of the coin hopper with electrical connections made through high pressure contact springs on the dispenser assembly. Because there are no elements inside the hopper to contact the coins, there is absolutely no impact on hopper operation and no degradation of the sensor due to contamination deposited by the coins themselves.

CHANGER CONTROL COMPUTER (CCC)

The Changer Control Computer (CCC, *Figure 1-5*) mounts on the back wall inside the changer cabinet. The CCC contains a microcomputer that controls and/or monitors all of the major functions of the Bill Changer, including communication with the Bill Acceptor and change dispensing functions. It also contains the following controls and displays:

Figure 1-5
Changer Control
Computer (CCC)



NOTE:

When the CCC is initially switched from the NORMAL to PROGRAM position, the status display will show *PR09*.

Status Display

The four character LED status display window displays the many Bill Changer programming and self-diagnostic features described in this manual. *See Section 4 for detailed programming information; see Section 6 for error code meanings.*

Service and Control Switches

The Bill Changer's service features and programming options are controlled by three push button switches and one slide switch. The descriptions that follow are introductory. *Refer to the detailed procedures and instructions in Section 4 for specific programming information.*

PROGRAM/NORMAL Slide Switch

Selects either the NORMAL operating position or the PROGRAM position:

PROGRAM Position - Allows you to inspect and/or change Bill Changer setup information. This information is displayed on the status display and is selected and changed by using the MODE, UP and DOWN buttons.

NORMAL Position - Places the changer in a standby condition waiting to give change for a valid bill while the CCC monitors all systems. While in standby, a dash moves from left to right across the 4-character status display.

MODE BUTTON

The MODE button is used to step through the setup options.

UP BUTTON

Increases the displayed value.

DOWN BUTTON

Decreases the displayed value.

TEMPORARILY OUT OF SERVICE LAMP

The temporarily out of service lamp (*Figure 1-1*) is located on the Bill Changer door above the coin cup. It lights when the hopper is low, or out of change, or the changer has shutdown due to malfunction.

Reset the Bill Changer by pushing the UP and DOWN buttons simultaneously on the CCC while the PROGRAM/NORMAL switch is in the NORMAL position. If the error has been corrected, the out of service lamp will go out and a dash will move from left to right across the 4-character status display. See *Section 6* for detailed troubleshooting information.

ELECTRICAL BOX

The **Electrical Box** (*Figure 1-6*), located inside the Bill Changer cabinet, houses the following electrical components:

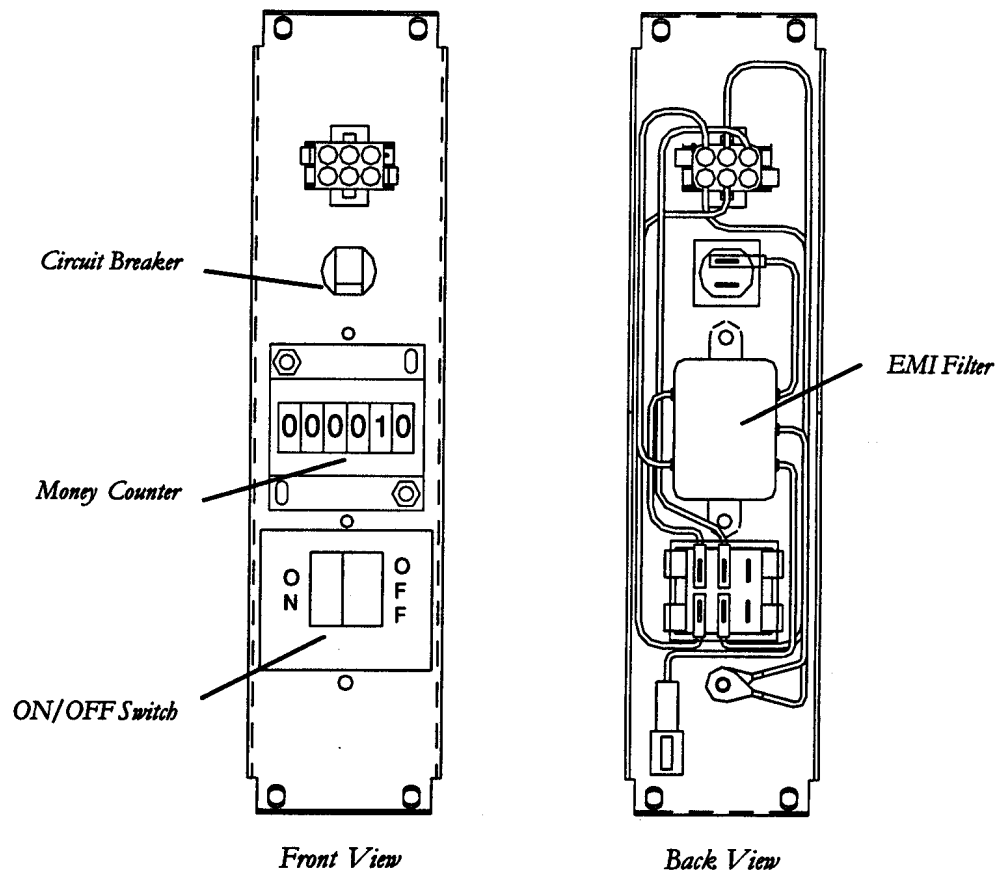
The **ON/OFF switch** controls all power to the machine.

A **5 amp circuit breaker** protects the power line to the bill changer.

An **EMI filter (ElectroMagnetic Interference filter)** removes undesirable electrical noise from the incoming power line.

The **Money Counter** is non-resettable, and indicates the amount of money handled by the changer.

Figure 1-6
Electrical Box



This page intentionally left blank.

SECTION 2:

INSTALLATION

INTRODUCTION

NOTE:

For both safety and security reasons, Rowe® strongly recommends that the Bill Changer be securely anchored to a wall or sturdy countertop. Please follow the mounting instructions provided in this manual.

This section provides instructions for installing the Century Series Bill Changers. To prevent theft, or the possibility of damage or injury should the Bill Changer fall, Rowe® strongly recommends that the Bill Changer be securely anchored to a wall or a sturdy countertop¹. The instructions that follow provide directions for a secure installation.

Before you begin any installation, be sure that a power source is available and that the changer can be mounted level. Choose a location that is easily accessible to customers, with enough room to open the Bill Changer door for convenient service.

Be sure that you read and understand the warnings and instructions in *Power Connection*, page 2-6, before making any electrical connections to the Bill Changer.

BILL CHANGER MOUNTING & SPECIFICATIONS

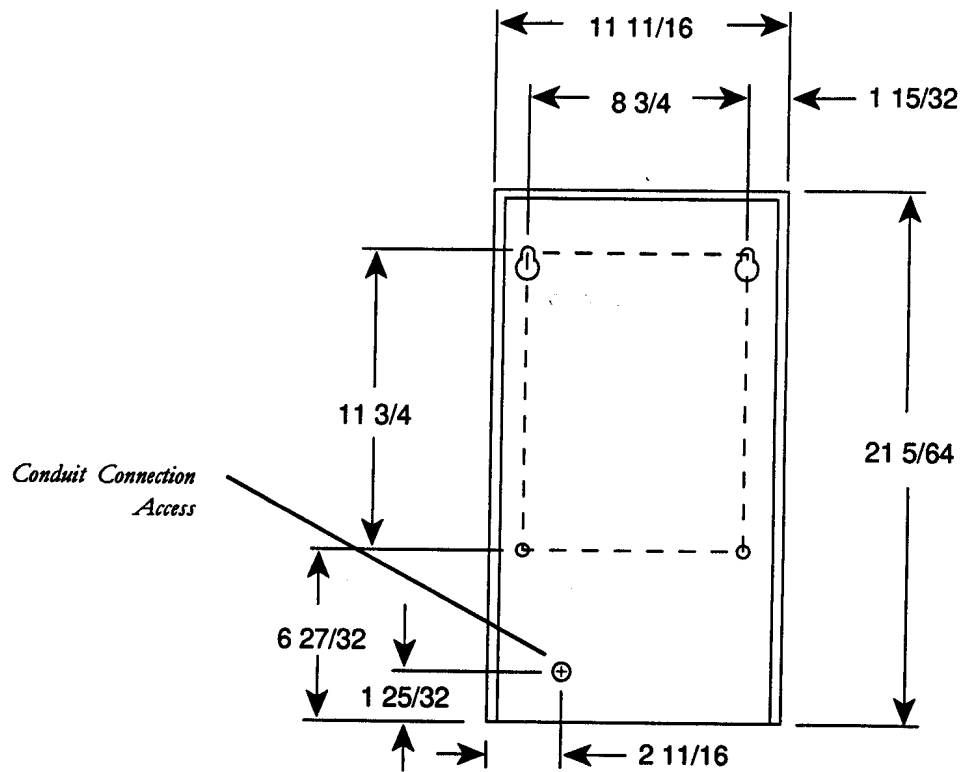
Figures 2-1 thru 2-2 illustrate the Bill Changer mounting requirements and specifications, and provides dimensions for drilling.

To mount the Bill Changer, use four 3/8" minimum diameter lag screws (with flat washers) that are long enough to penetrate the counter or supporting surface of the wall at least 2 inches. For wood frame mounting, screw directly into the wall studs. For mounting to concrete or masonry walls, use lag screws with lead anchors.

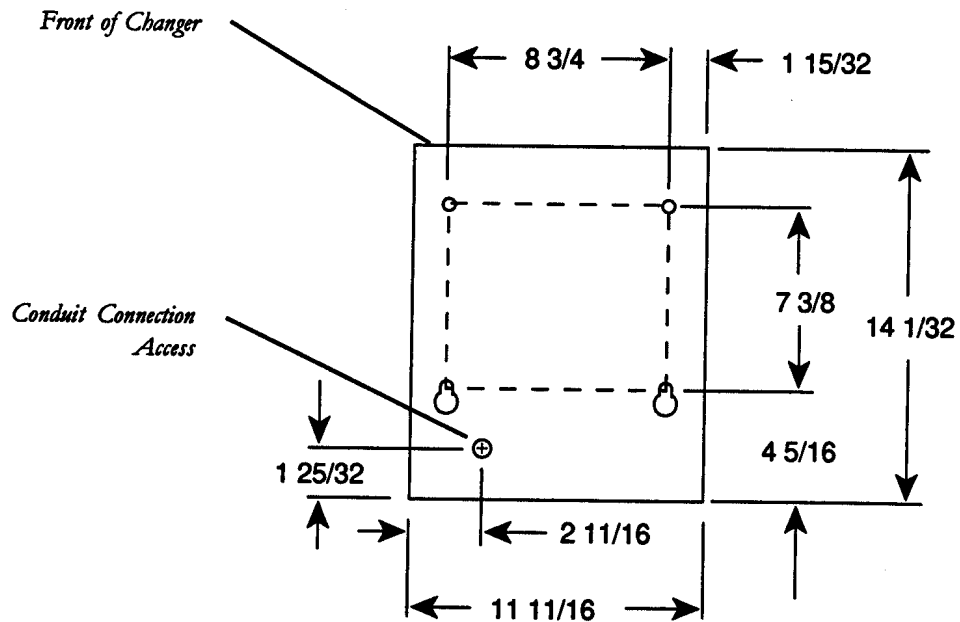
If the mounting surface is not even, you may need to add spacer washers between the mounting surface and the Bill Changer until the Bill Changer is level.

¹ Rowe® also offers two different mounting bases as options. See the Accessory Kits section for details.

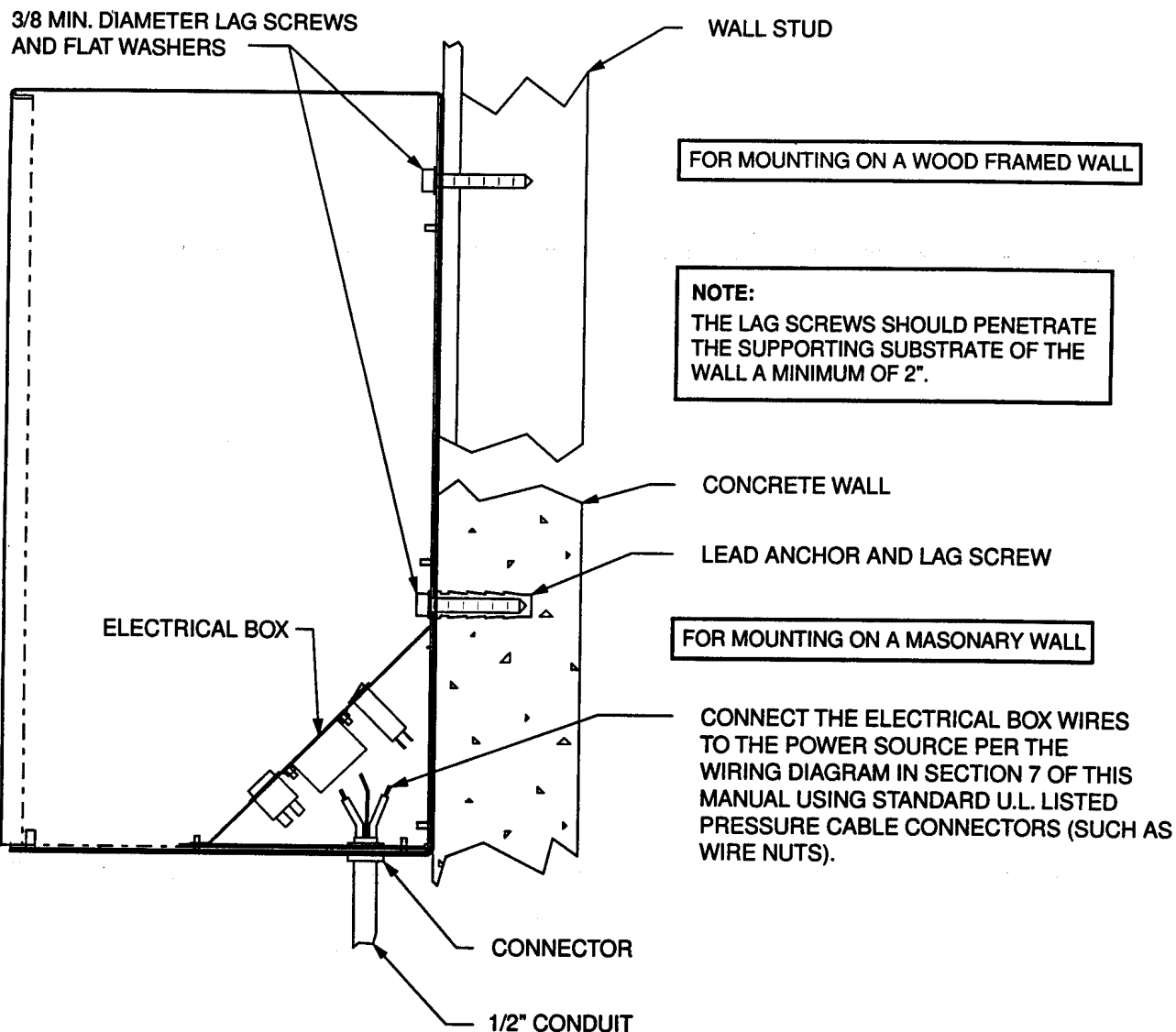
Figure 2-1
C-2/4 Mounting
Diagram



FRONT VIEW
C-2/4 Wall Mounting Dimensions



BOTTOM VIEW
C-2/4 Table or Countertop Mounting Dimensions

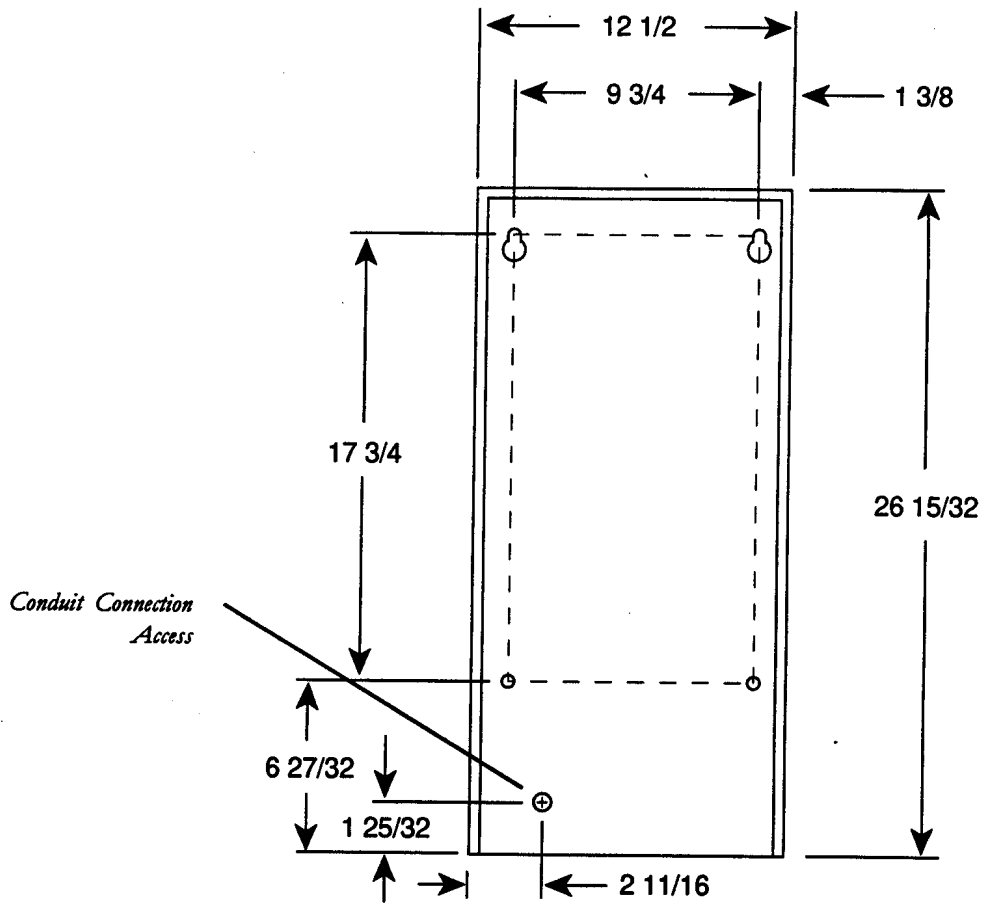


WARNING:
BE SURE THAT YOU READ AND UNDERSTAND THE WARNINGS AND INSTRUCTIONS IN THIS SECTION OF THE MANUAL BEFORE MAKING ANY ELECTRICAL CONNECTIONS.

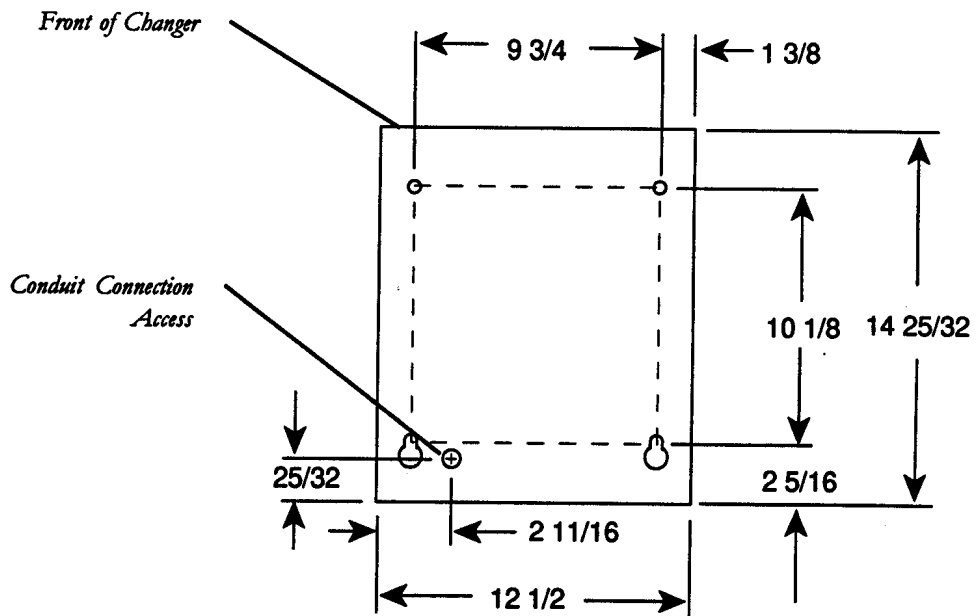
THE CONDUIT CAN BE INSTALLED THROUGH THE BOTTOM OR THROUGH THE BACK BY REVERSING THE ELECTRICAL PLATES. THE POSITION OF THE POWER CORD CAN BE CHANGED IN THE SAME MANNER.

C-2/4 POWER REQUIREMENTS: 120 VAC (MIN. 105 VAC), 60 Hz
SHIPPING WEIGHT: 78 lbs. (220 or 240 VAC, 50 HZ optional)

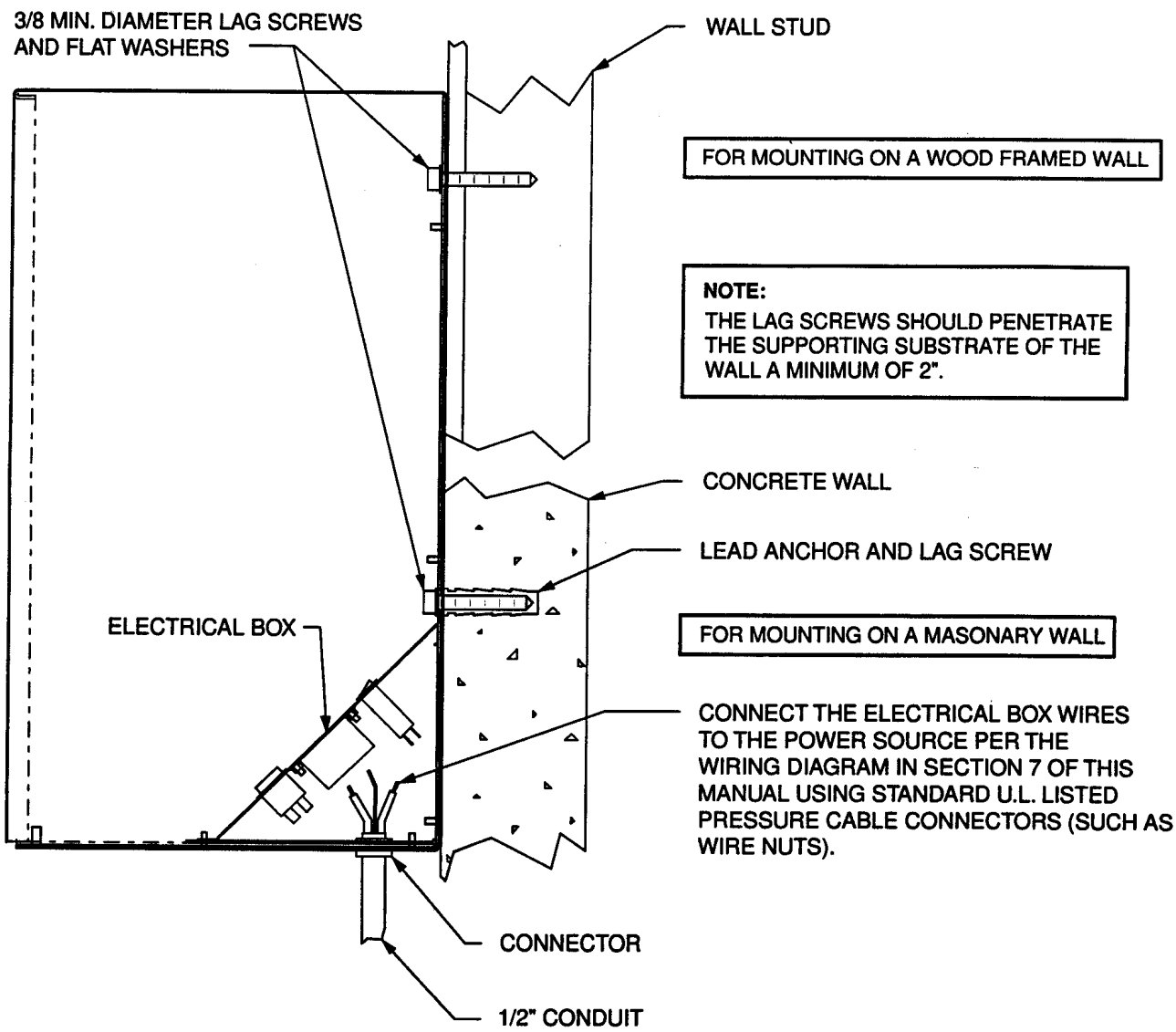
Figure 2-2
C-6 Mounting
Diagram



FRONT VIEW
C-6 Wall Mounting Dimensions



BOTTOM VIEW
C-6 Table or Countertop Mounting Dimensions



WARNING:
 BE SURE THAT YOU READ AND UNDERSTAND THE WARNINGS AND INSTRUCTIONS IN THIS SECTION OF THE MANUAL BEFORE MAKING ANY ELECTRICAL CONNECTIONS.

THE CONDUIT CAN BE INSTALLED THROUGH THE BOTTOM OR THROUGH THE BACK BY REVERSING THE ELECTRICAL PLATES. THE POSITION OF THE POWER CORD CAN BE CHANGED IN THE SAME MANNER.

C-6 POWER REQUIREMENTS: 120 VAC (MIN. 105 VAC), 60 Hz
 SHIPPING WEIGHT: 99 lbs. (220 or 240 VAC, 50 HZ optional)

POWER CONNECTION

Always obey local codes and ordinances when making Power connection.

LINE CORD

On 120 VAC models, the Bill Changer power cord can be plugged into any standard three-hole 120 VAC outlet. Do not connect your Bill Changer using a two-pronged grounding adaptor. For 220V/240 VAC operation, install an appropriate connecting plug for your location, follow local safety codes and regulations, and make an earth connection to the case if allowed. To avoid possible voltage spikes that might effect the Bill Changer, do not operate any other high-wattage equipment on the same circuit with the Bill Changer.

The line cord comes factory installed through the back of the changer. Some installations require that the position of the cord be changed to run through the bottom of the changer. This can be done by removing the screws that hold the electrical box in place and reversing the electrical plates underneath (*Figure 2-1, 2-2*).

CAUTION:

To avoid the hazard of serious electrical shock and/or damage to the Bill Changer, direct wiring to the Bill Changer should only be attempted by a person familiar with proper electrical wiring procedures.

CONDUIT

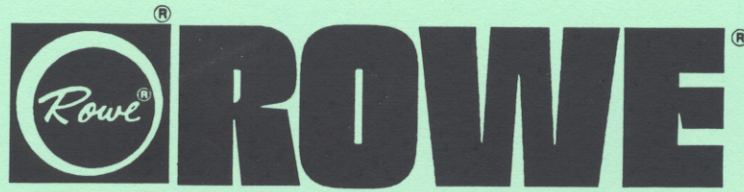
If the changer is rigidly mounted to a wall, U.L. requirements specify that a direct power connection be made to the changer through a rigid, 1/2 inch conduit.

If a conduit is required for your installation, remove the nuts that hold the electrical box in place, and disconnect the standard line cord and strain relief. The conduit connector will run through the 7/8" diameter round hole in the electrical plate. Position the electrical plates so that the conduit will run either out the bottom or the back of the changer — whichever suits your installation — while blocking off the unused hole.

To install the conduit, cut the connectors of the line cord leaving three inches of wire on each connector. Connect these electrical box wires to the power source per the wiring diagram in Section 7 of this manual using standard U.L. listed pressure cable connectors (such as wire nuts).

CAUTION:

To avoid serious electrical shock, disconnect power at the source before making any electrical connections.

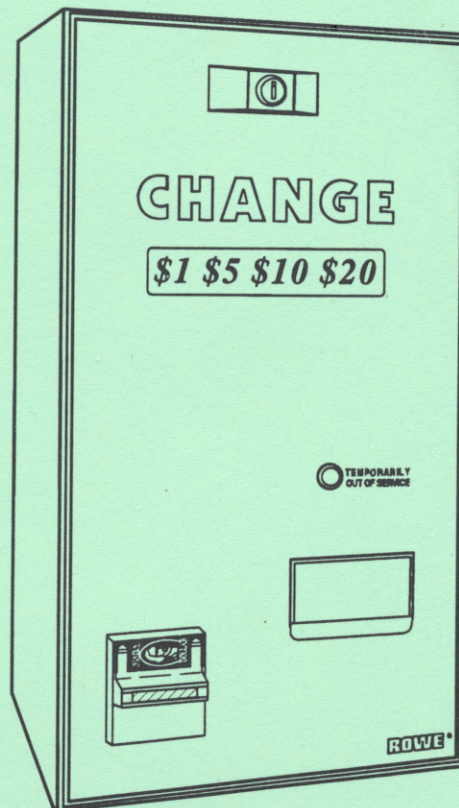


Century Series

C-2, C-4, C-6

Bill Changers

Field Service Manual and Parts Catalog

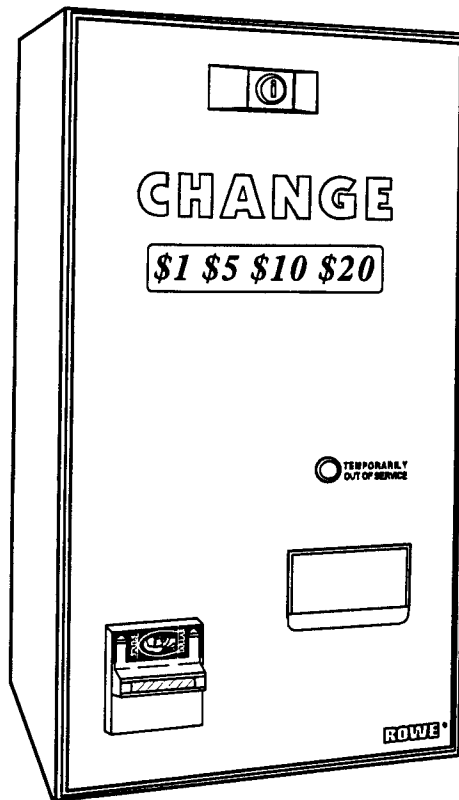


Part No. 25553601
Second Edition

Century Series

C-2, C-4, C-6
Bill Changer

Field Service Manual and Parts Catalog



Rowe International, Inc.

1500 Union Ave., SE • GRAND RAPIDS, MI 49507-1884 • (616) 243-3633

Printed in USA

Preface

The Century Series is an all new model bill changer. This manual has been designed and organized to provide you with an easy-to-use source of service information.

This service manual is divided into eight sections:

- **Section 1: SYSTEM DESCRIPTION** — Introduces you to the C-2, C-4, C-6, their features, and their major components. A Sequence of Operation Flowchart details Bill Changer operation.
- **Section 2: INSTALLATION** — Provides you with the information that you need to install your Bill Changer safely and securely.
- **Section 3: LOADING & AUDITING** — Outlines instructions for loading and unloading the Bill Changer coin hopper, as well as a basic auditing procedure to guard against loss of money from theft or malfunction.
- **Section 4: PROGRAMMING** — Gives instructions for changing Bill Changer default (factory) programming.
- **Section 5: MAINTENANCE & ADJUSTMENTS** — Provides instructions for removing Bill Changer components for service, and details mechanical maintenance procedures.
- **Section 6: TROUBLESHOOTING & SELF-DIAGNOSTICS** — Describes the meaning of Bill Changer fault codes, as well as remedies for each. This section also describes miscellaneous problems that can occur but may not cause a fault code to be displayed, as well as checking procedures used to verify that the Bill Changer is functioning properly.
- **Section 7: TECHNICAL INFORMATION** — Contains the Bill Changer System Schematic Diagram, as well as the board layout and components list for the Control Computer.
- **Section 8: PARTS CATALOG** — Lists and illustrates all replaceable modules in the Bill Changer.

This manual is intended for owners, route operators, and technicians. This manual provides all field and shop related service and maintenance material. Accessories and their installation and service are discussed in the corresponding accessory instructions (or manuals).

Specific Bill Acceptor information is discussed in the *Bill Acceptor Field Service Manual and Parts Catalog* included with your Bill Changer.

Contents

PREFACE ii
 CENTURY SERIES BILL CHANGER MAJOR COMPONENTS vi

SECTION 1: SYSTEM DESCRIPTION

INTRODUCTION 1-1
 FEATURES 1-1
 GENERAL OPERATION 1-2
 SYSTEM COMPONENTS 1-2
 BILL ACCEPTOR 1-2
 SEQUENCE OF OPERATION FLOWCHART 1-3
 DISPENSER 1-4
 HOPPER 1-4
 CHANGER CONTROL COMPUTER (CCC) 1-5
 Status Display 1-6
 Service and Control Switches 1-6
 PROGRAM/NORMAL Slide Switch 1-6
 MODE Button 1-6
 UP Button 1-6
 DOWN Button 1-6
 TEMPORARILY OUT OF SERVICE LAMP 1-7
 ELECTRICAL BOX 1-7

SECTION 2: INSTALLATION

INTRODUCTION 2-1
 BILL CHANGER MOUNTING & SPECIFICATIONS 2-1
 C-2/4 MOUNTING DIAGRAM 2-2
 C-6 MOUNTING DIAGRAM 2-4
 POWER CONNECTION 2-6
 LINE CORD 2-6
 CONDUIT 2-6

SECTION 3: LOADING & AUDITING

INTRODUCTION 3-1
 LOADING THE BILL CHANGER 3-1
 LOADING THE HOPPER 3-2
 UNLOADING THE HOPPER C-2/4 3-3
 UNLOADING THE HOPPER C-6 3-4
 AUDITING 3-5

SECTION 4: PROGRAMMING

PROGRAMMING THE CENTURY 2 AND CENTURY 4 BILL CHANGES	41
PROGRAMMING	42
Coin Acceptor Settings	42
Bill Acceptor Settings	43
Money Meter Settings	44
Coin Level Settings	44
Recommended Settings	45
BILL PAYOUT SETTINGS	46
PROGRAMMING EXAMPLES	47

SECTION 5: MAINTENANCE AND ADJUSTMENTS

INTRODUCTION	5-1
BILL ACCEPTOR	5-1
REMOVING A JAMMED BILL	5-1
REMOVING THE BILL ACCEPTOR	5-2
INSTALLING THE BILL ACCEPTOR	5-2
HOPPER	5-3
REMOVING THE HOPPER	5-3
CLEANING THE HOPPER COIN PATH	5-3
HOPPER CHAIN ADJUSTMENT	5-5
DISPENSER	5-6
REMOVING THE DISPENSER ASSEMBLY	5-6
INSTALLING THE DISPENSER ASSEMBLY	5-6

SECTION 6: TROUBLESHOOTING & SELF-DIAGNOSTICS

INTRODUCTION	6-1
TROUBLESHOOTING	6-2
CLEARING BILL CHANGER ERROR CODES	6-2
ERROR CODES	6-2
Er 1	6-3
Er 2	6-3
Er 3	6-4
Er 4	6-4
Er 5	6-4
Er 6	6-5
Er 7	6-6
Er 8	6-6
Er 9	6-7
Er10	6-7
Er12	6-8
Er13	6-8
Er14	6-8
Er15	6-8
Er16	6-9
Er21 or Er22 or Er23	6-9
--	6-10
MISCELLANEOUS PROBLEMS	6-11
ERRATIC PAYOUT	6-11
LARGE NUMBER OF VALID BILLS REJECTED	6-11
BILLS JAM FREQUENTLY	6-11
COIN COUNTING PHOTOTRANSISTOR (SENSOR) CHECK	6-12
LOW COIN SENSOR ELECTRICAL CHECK	6-13

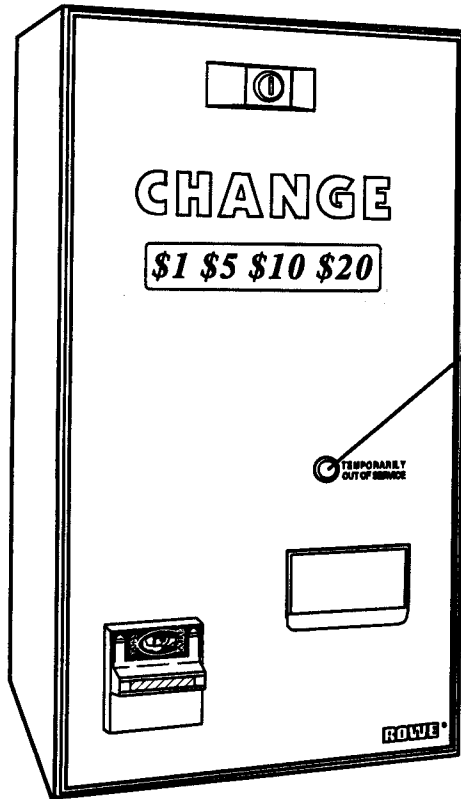
SECTION 7: TECHNICAL INFORMATION

INTRODUCTION	7-1
CCC Circuit Board Layout	7-2
CCC CIRCUIT BOARD COMPONENTS LIST	7-3
BILL CHANGER SYSTEM SCHEMATIC	See Accessory Bag (Eng. Draw.. 25553301 Q2)

SECTION 8: PARTS CATALOG

INTRODUCTION	8-3
Catalog Description	8-3
Parts List Description	8-3
Ordering Replacement Parts	8-3
PARTS CATALOG	8-4
ACCESSORY KITS	8-27

Figure 1-1
Century Series
Bill Changer
Major Components
(Sheet 1)

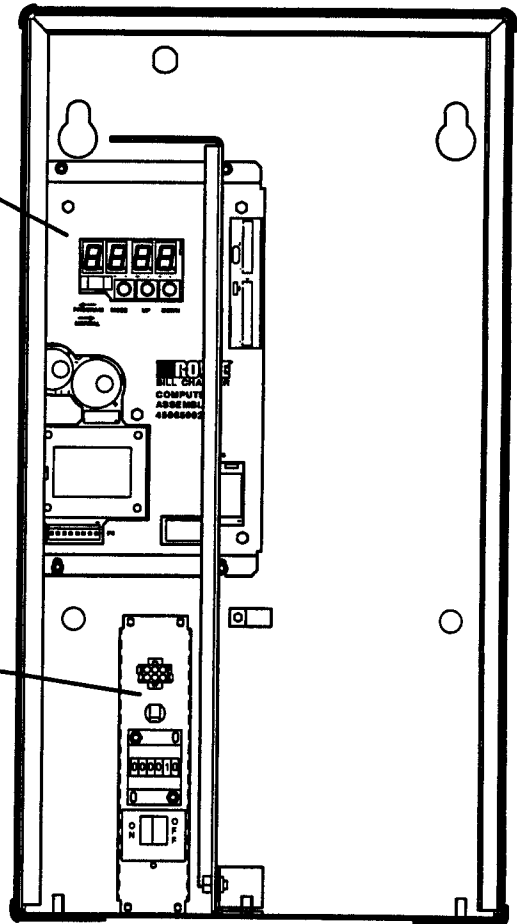


Temporarily Out of Service
Lamp

C-2/4

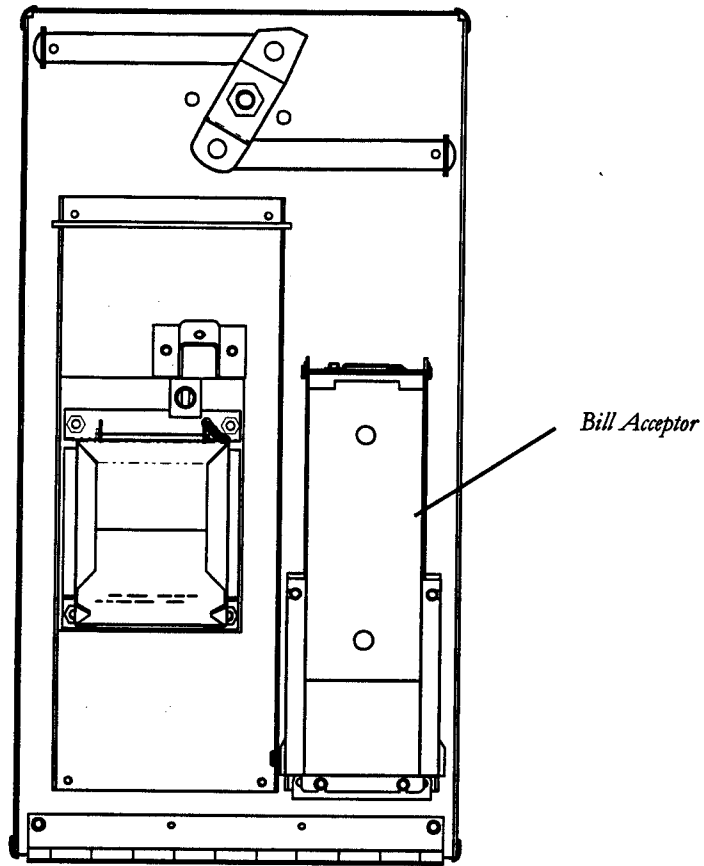
Changer Control
Computer
(CCC)

Electrical Box

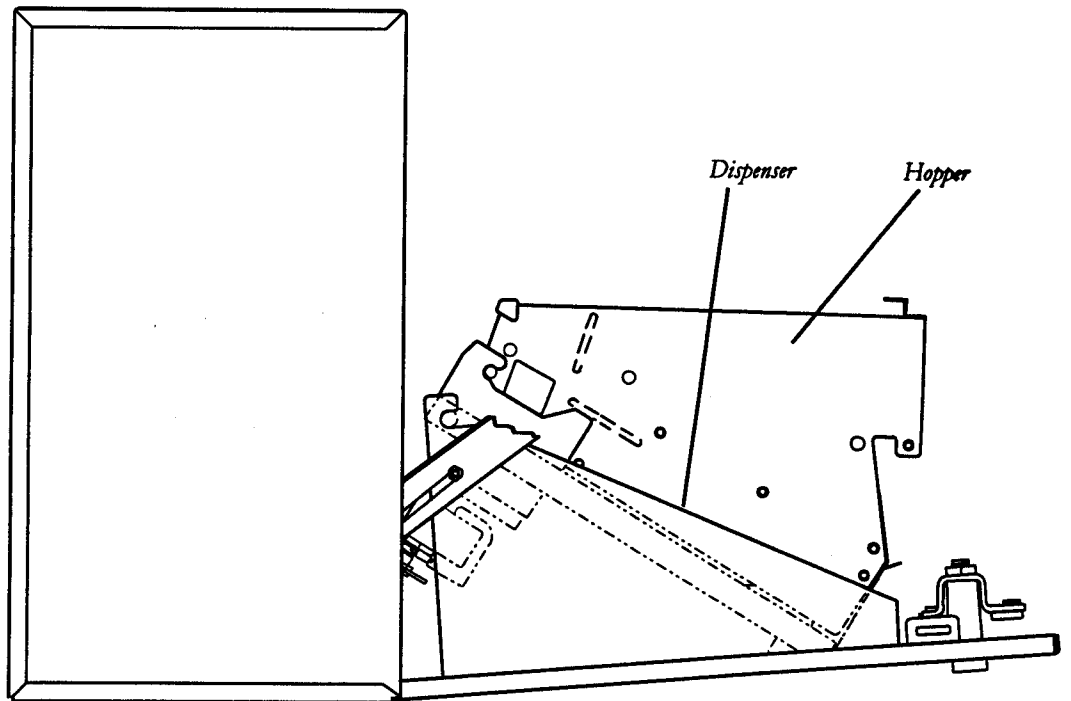


C-2/4 CABINET

Figure 1-1
Century Series
Bill Changer
Major Components
(Sheet 2)

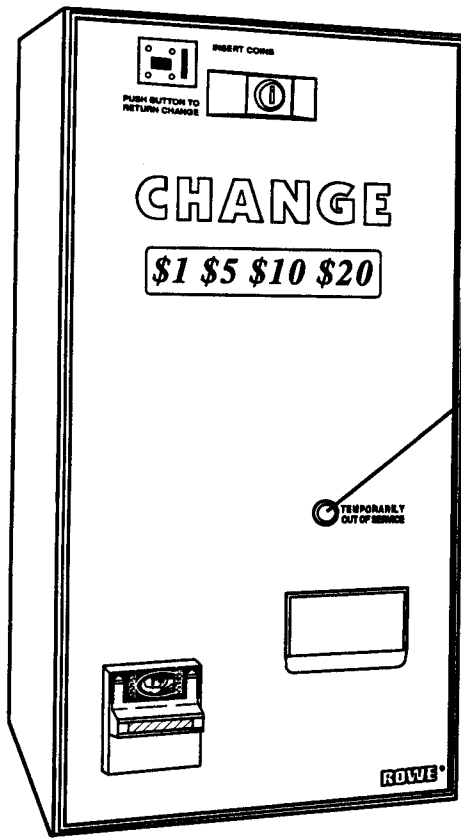


C-2/4 BACK OF DOOR
(Hopper & Dispenser Removed)



C-2/4 SIDE VIEW, DOOR OPEN

Figure 1-1
Century Series
Bill Changer
Major Components
(Sheet 3)



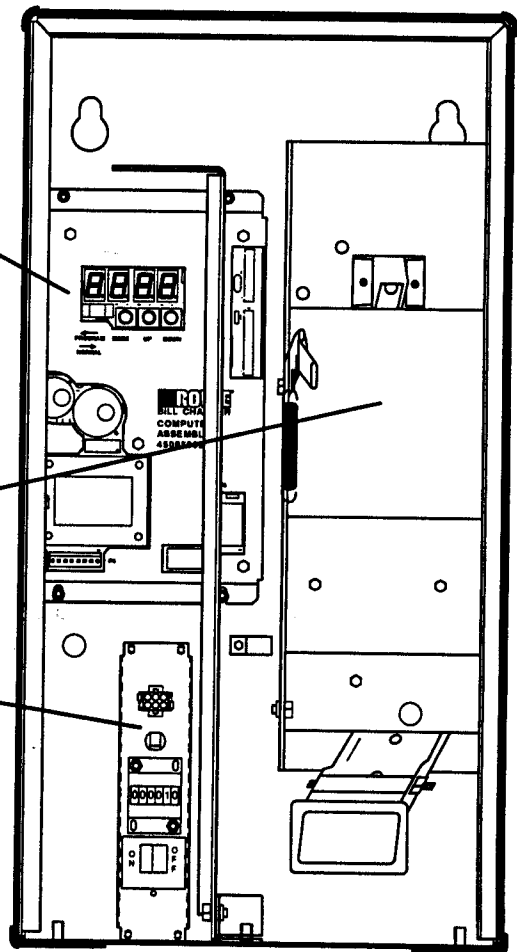
Temporarily Out of Service
Lamp

C-6

Changer Control
Computer
(CCC)

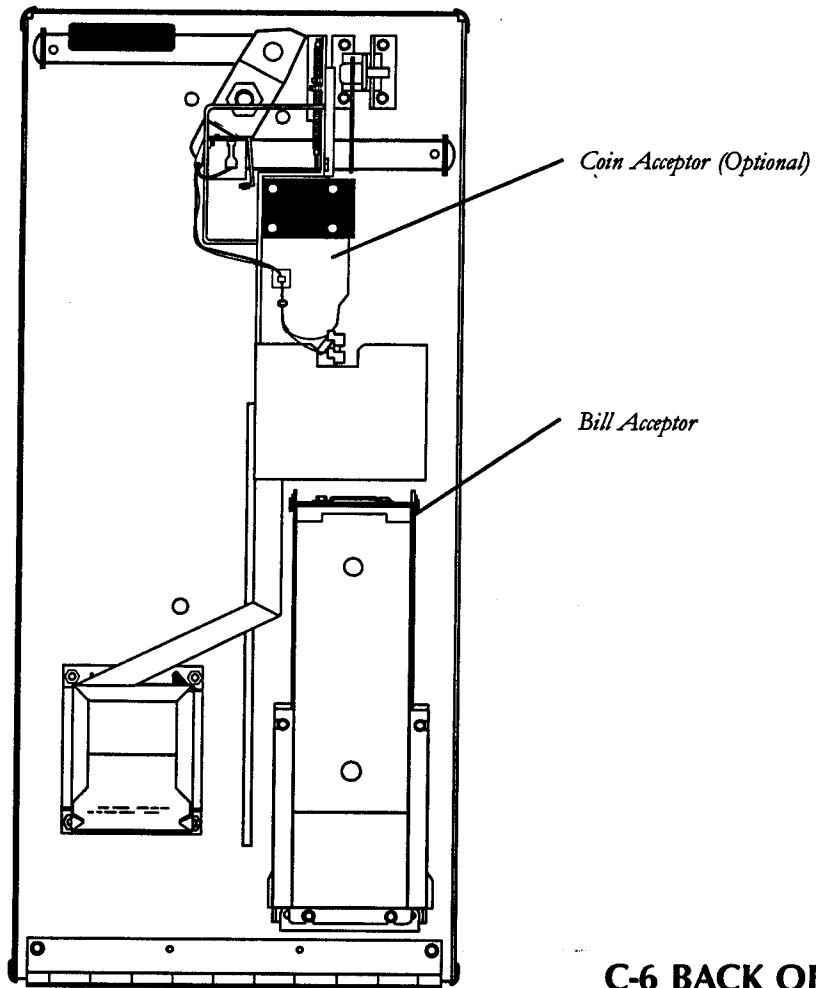
Dispenser

Electrical Box



C-6 CABINET
(Hopper Removed)

Figure 1-1
Century Series
Bill Changer
Major Components
(Sheet 2)



This page intentionally left blank

SECTION 1:

SYSTEM DESCRIPTION

INTRODUCTION

NOTE:

Throughout this manual, the word "coin" is used to refer to either coins or tokens, interchangeably.

The Rowe® Century Series C-2 Bill Changer will accept 1 dollar (\$1) and 5 dollar (\$5) bills and the C-4 and C-6 Bill Changers can accept \$1 thru \$100 bills of United States currency. Using the appropriate bill acceptor, up to 7 denominations of any non-U.S. currency can be accepted. The unit can be programmed by the operator to accept any or all of the bills. Figure 1-1 illustrates the major components of the Bill.

The Bill Changer can dispense one type of coin or token at a time. The number of coins dispensed for each bill denomination accepted is programmable.

FEATURES

- A microcomputer inside the Bill Changer monitors system status, accepts credit inputs from the bill acceptor or coin acceptor (when used), and controls the change dispensing functions.
- Modular assemblies are featured for fast field substitution.
- Setup and programming options are easily changed using the MODE, UP and DOWN pushbutton switches.
- The removable coin hopper permits rapid bulk loading of coins.

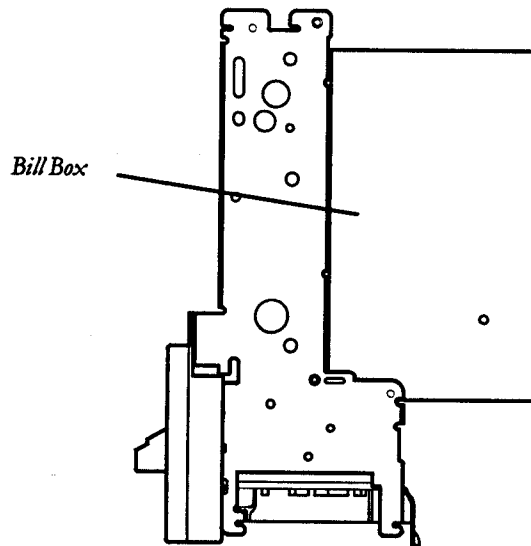
GENERAL OPERATION

The Bill Changer Sequence of Operation Flowchart (*Table 1-1, opposite*) gives an overview of the Bill Changer sequence of operation, from the time that a bill is inserted into the changer until coins fall into the Coin Cup. For detailed information regarding the location and function of individual Bill Changer components, refer to *System Components*, which follows.

SYSTEM COMPONENTS

Refer to *Figure 1-1* for placement of each of the following Bill Changer components:

Figure 1-2
Bill Acceptor



BILL ACCEPTOR*

The bill acceptor accepts and validates \$1 and \$5 or \$1 thru \$100 bills depending on the bill acceptor. It stacks valid bills in a bill box that opens for easy bill removal. The bill acceptor mounts on the back of the Bill Changer door.

For specific bill acceptor information refer to the bill acceptor field service manual and parts catalog included with the Bill Changer.

* Rowe® Bill Acceptor pictured. Your changer may be equipped with an Acceptor from another manufacturer.

Bill Changer Sequence of Operation Flowchart

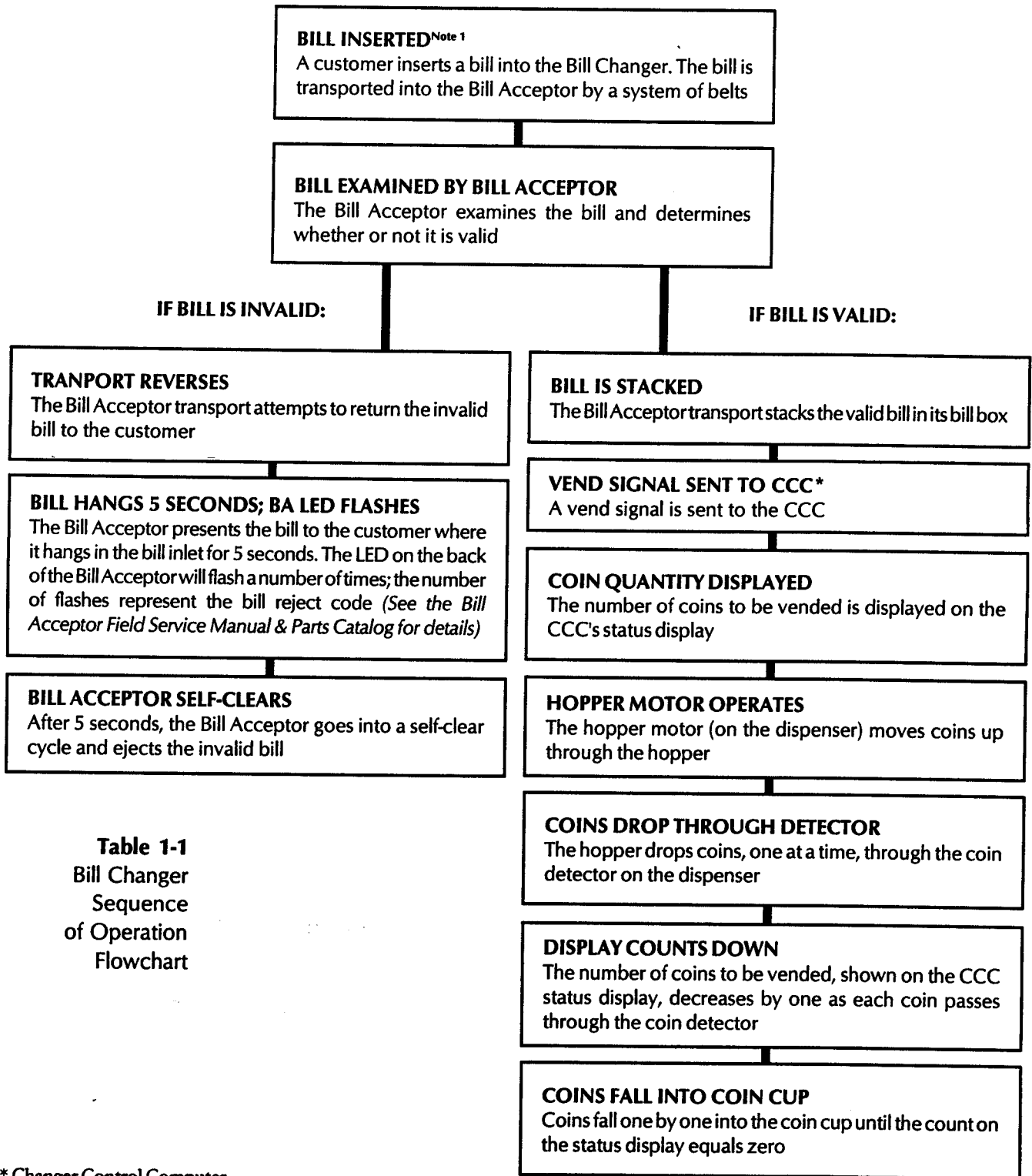


Table 1-1
Bill Changer
Sequence
of Operation
Flowchart

* Changer Control Computer

^{Note 1} The Bill Acceptor Operation described here is applicable when a Rowe® Bill Acceptor is used. Bill Acceptors from other manufacturers may operate differently.

DISPENSER

The Bill Changer coin dispenser (*Figure 1-3*) contains the coin detector system and the hopper motor. On the C-2/4 the dispenser mounts on a bracket on the back of the Bill Changer door. On the C-6 the dispenser mounts on a bracket in the cabinet.

The coin detector system consists of an LED and a photo-transistor, which “count” the coins as they exit the hopper and fall through the upper coin chute into the coin cup.

The hopper motor engages a sprocket that drives the hopper. This 110 VAC motor is controlled by the CCC.

Figure 1-3
Dispenser

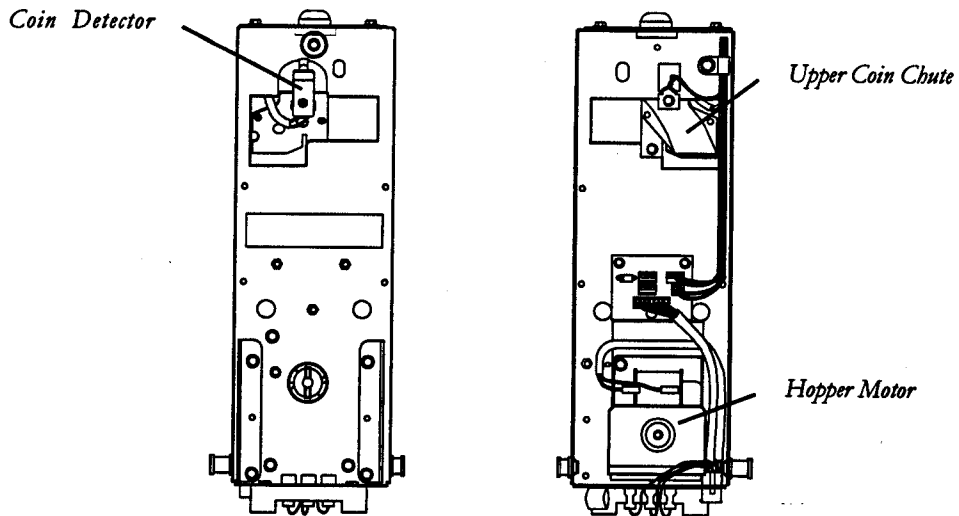
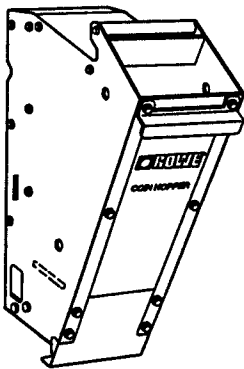


Figure 1-4
Hopper



HOPPER

The Bill Changer contains one hopper (*Figure 1-4*), which mounts on the front surface of the dispenser assembly and pivots out for easy removal.

The hopper transports coins to the coin detector and upper coin chute by means of a chain conveyor driven from below by a sprocket. The chain picks up coins from the bottom of the hopper and carries them up to the top, where they fall through the upper chain guide ring and through the coin detector system.

The hopper chain follows a serpentine path that causes excess coins to fall back into the hopper. This ensures that only one coin per pin enters the coin counting area.

An agitator, which is mounted on the drive shaft inside the hopper, agitates the coin load to minimize coin jams in the hopper and to ensure efficient coin pick up. The hopper also contains the low coin sensor antenna and circuit board.

NOTE:

The low coin sensor alerts the computer when the number of coins in the hopper falls below a certain level.

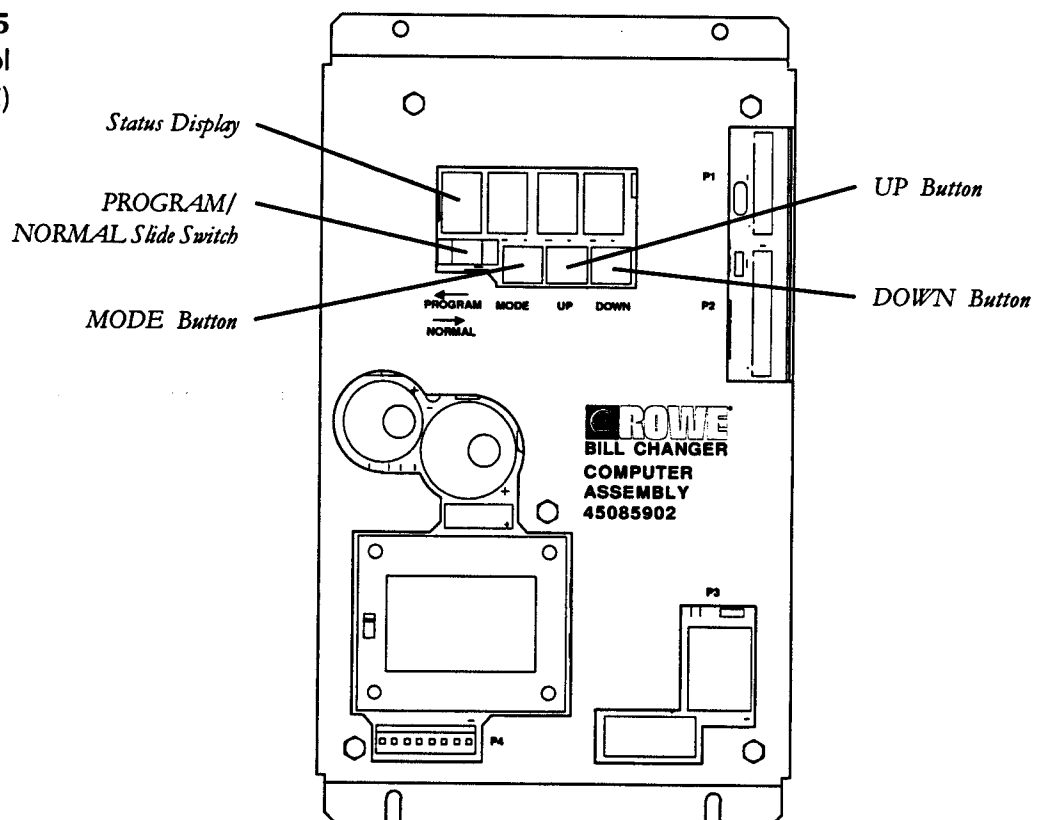
The Bill Changer uses the low coin sensing system which simplifies the day to day operation. With this system, the operator does not have to program the computer with the number of coins that have been added to the hopper. When the hopper is loaded, the sensing circuit will automatically signal the computer that coins are present. As the hopper is emptied via the normal changemaking process, eventually the level of coins will fall below the threshold required by the low coin sensing circuit. This circuit will then signal the computer that the low level has been reached.

The sensing circuit is mounted on the front surface of the coin hopper with electrical connections made through high pressure contact springs on the dispenser assembly. Because there are no elements inside the hopper to contact the coins, there is absolutely no impact on hopper operation and no degradation of the sensor due to contamination deposited by the coins themselves.

CHANGER CONTROL COMPUTER (CCC)

The Changer Control Computer (CCC, *Figure 1-5*) mounts on the back wall inside the changer cabinet. The CCC contains a microcomputer that controls and/or monitors all of the major functions of the Bill Changer, including communication with the Bill Acceptor and change dispensing functions. It also contains the following controls and displays:

Figure 1-5
Changer Control
Computer (CCC)



NOTE:

When the CCC is initially switched from the NORMAL to PROGRAM position, the status display will show *Pr o S*.

Status Display

The four character LED status display window displays the many Bill Changer programming and self-diagnostic features described in this manual. *See Section 4 for detailed programming information; see Section 6 for error code meanings.*

Service and Control Switches

The Bill Changer's service features and programming options are controlled by three push button switches and one slide switch. The descriptions that follow are introductory. *Refer to the detailed procedures and instructions in Section 4 for specific programming information.*

PROGRAM/NORMAL Slide Switch

Selects either the NORMAL operating position or the PROGRAM position:

PROGRAM Position - Allows you to inspect and/or change Bill Changer setup information. This information is displayed on the status display and is selected and changed by using the MODE, UP and DOWN buttons.

NORMAL Position - Places the changer in a standby condition waiting to give change for a valid bill while the CCC monitors all systems. While in standby, a dash moves from left to right across the 4-character status display.

MODE BUTTON

The MODE button is used to step through the setup options.

UP BUTTON

Increases the displayed value.

DOWN BUTTON

Decreases the displayed value.

TEMPORARILY OUT OF SERVICE LAMP

The temporarily out of service lamp (*Figure 1-1*) is located on the Bill Changer door above the coin cup. It lights when the hopper is low, or out of change, or the changer has shutdown due to malfunction.

Reset the Bill Changer by pushing the UP and DOWN buttons simultaneously on the CCC while the PROGRAM/NORMAL switch is in the NORMAL position. If the error has been corrected, the out of service lamp will go out and a dash will move from left to right across the 4-character status display. See *Section 6* for detailed troubleshooting information.

ELECTRICAL BOX

The Electrical Box (*Figure 1-6*), located inside the Bill Changer cabinet, houses the following electrical components:

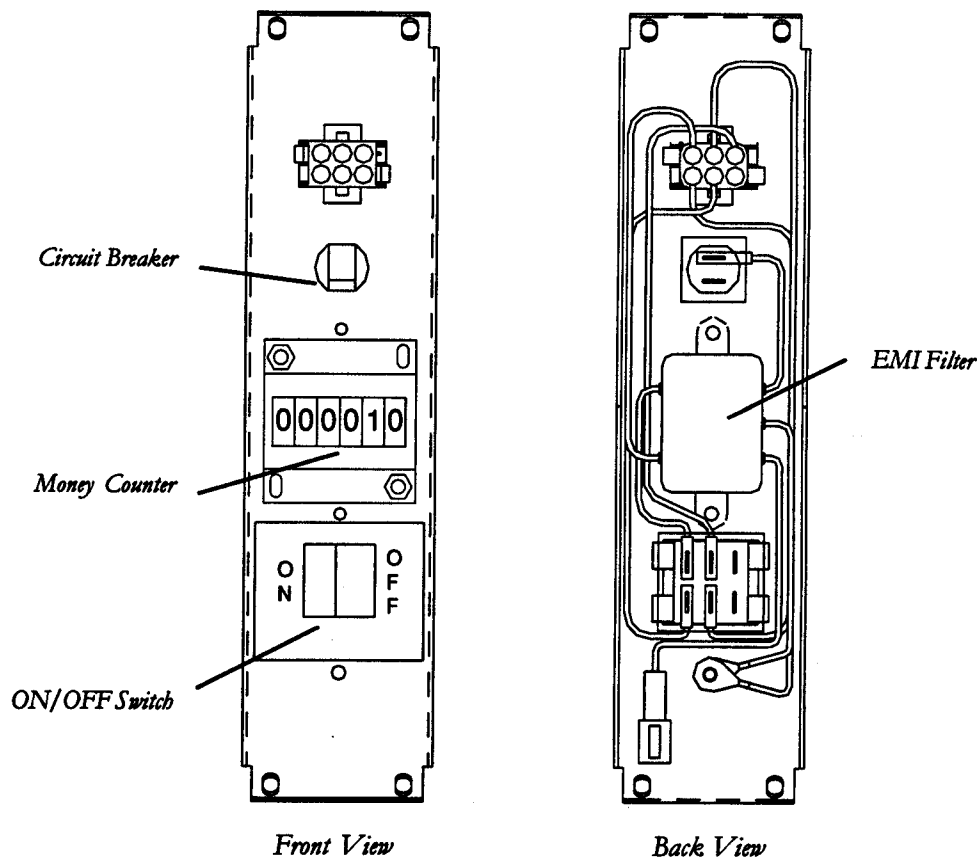
The ON/OFF switch controls all power to the machine.

A 5 amp circuit breaker protects the power line to the bill changer.

An EMI filter (ElectroMagnetic Interference filter) removes undesirable electrical noise from the incoming power line.

The Money Counter is non-resettable, and indicates the amount of money handled by the changer.

Figure 1-6
Electrical Box



This page intentionally left blank.

SECTION 2:

INSTALLATION

INTRODUCTION

NOTE:

For both safety and security reasons, Rowe® strongly recommends that the Bill Changer be securely anchored to a wall or sturdy countertop. Please follow the mounting instructions provided in this manual.

This section provides instructions for installing the Century Series Bill Changers. To prevent theft, or the possibility of damage or injury should the Bill Changer fall, Rowe® strongly recommends that the Bill Changer be securely anchored to a wall or a sturdy countertop¹. The instructions that follow provide directions for a secure installation.

Before you begin any installation, be sure that a power source is available and that the changer can be mounted level. Choose a location that is easily accessible to customers, with enough room to open the Bill Changer door for convenient service.

Be sure that you read and understand the warnings and instructions in *Power Connection*, page 2-6, before making any electrical connections to the Bill Changer.

BILL CHANGER MOUNTING & SPECIFICATIONS

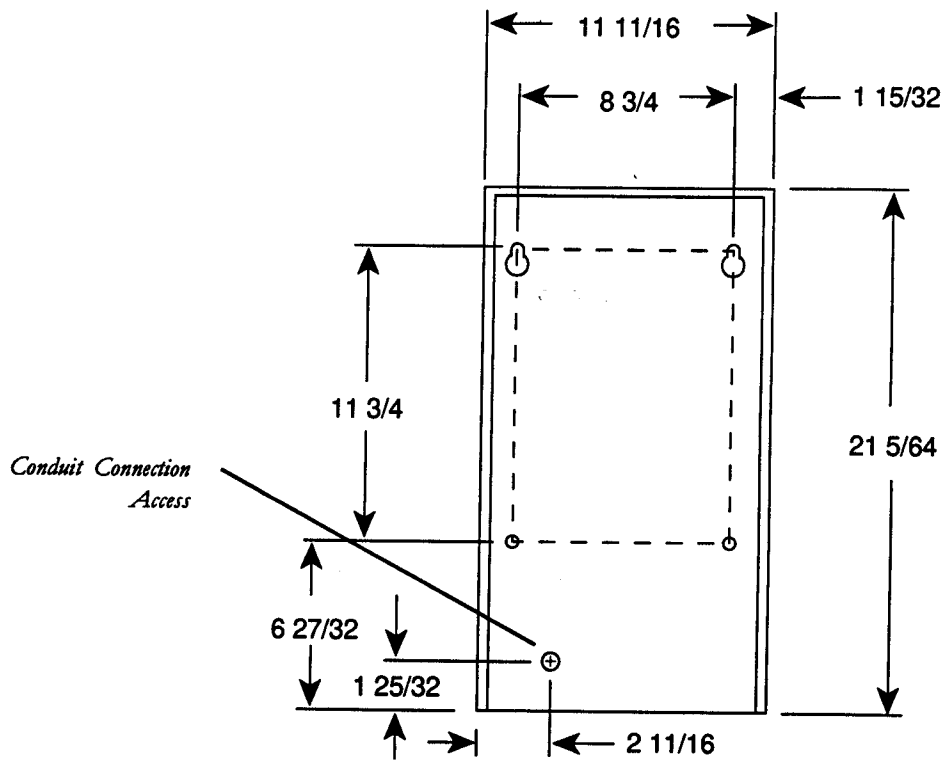
Figures 2-1 thru 2-2 illustrate the Bill Changer mounting requirements and specifications, and provides dimensions for drilling.

To mount the Bill Changer, use four 3/8" minimum diameter lag screws (with flat washers) that are long enough to penetrate the counter or supporting surface of the wall at least 2 inches. For wood frame mounting, screw directly into the wall studs. For mounting to concrete or masonry walls, use lag screws with lead anchors.

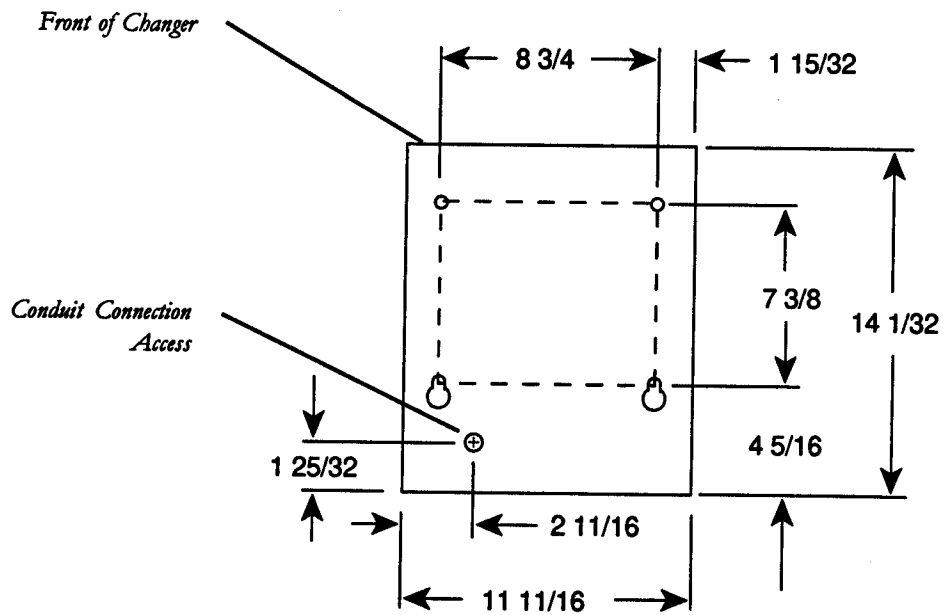
If the mounting surface is not even, you may need to add spacer washers between the mounting surface and the Bill Changer until the Bill Changer is level.

¹ Rowe® also offers two different mounting bases as options. See the Accessory Kits section for details.

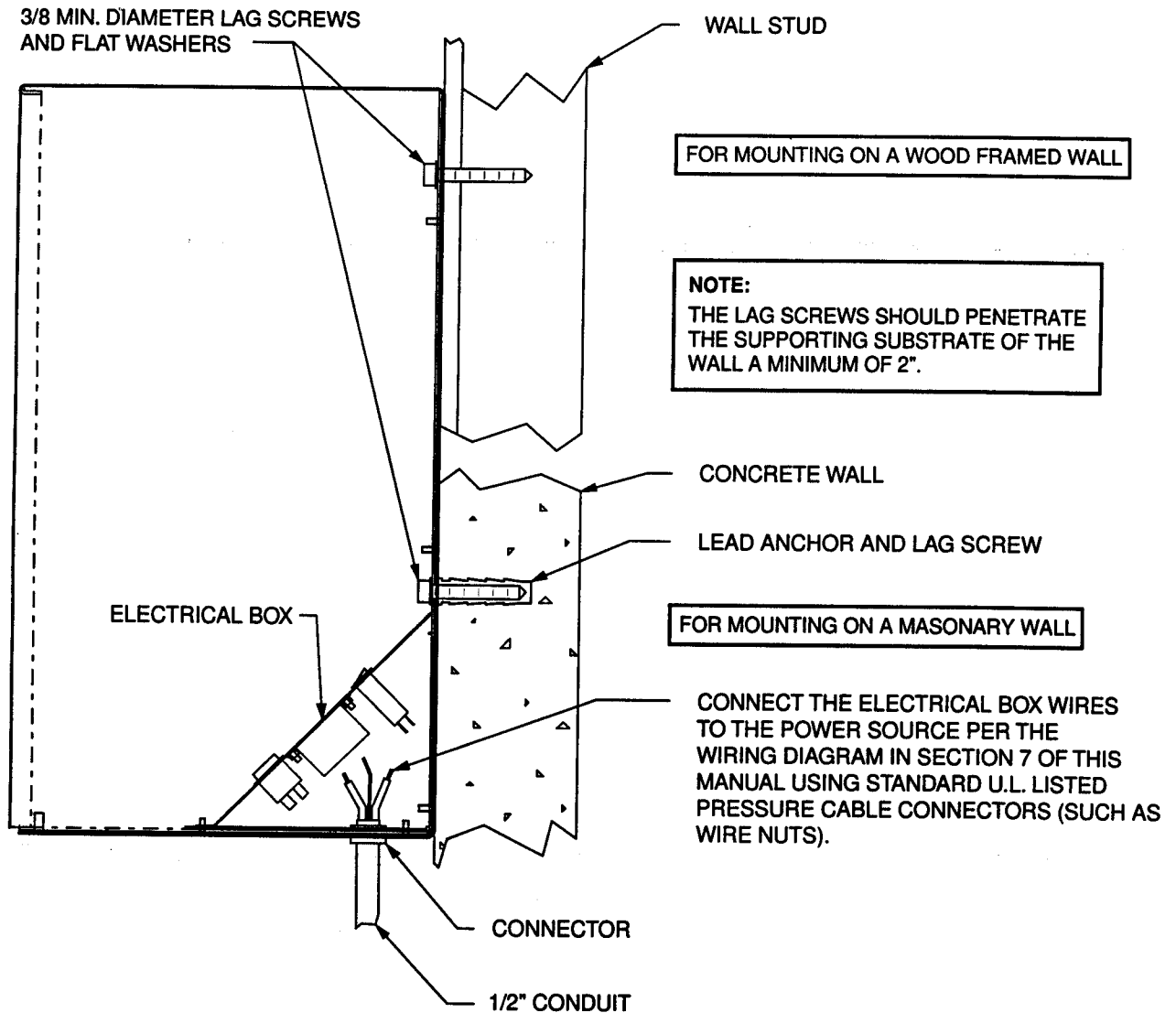
Figure 2-1
C-2/4 Mounting
Diagram



FRONT VIEW
C-2/4 Wall Mounting Dimensions



BOTTOM VIEW
C-2/4 Table or Countertop Mounting Dimensions

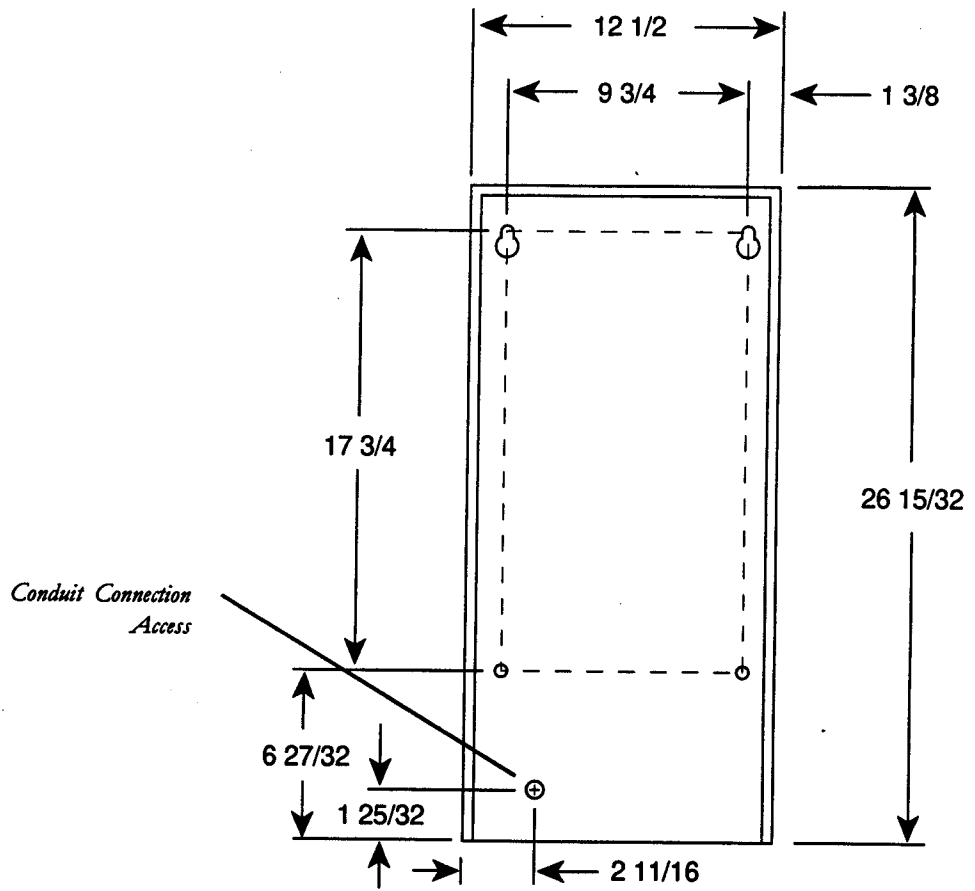


WARNING:
 BE SURE THAT YOU READ AND UNDERSTAND THE WARNINGS AND INSTRUCTIONS IN THIS SECTION OF THE MANUAL BEFORE MAKING ANY ELECTRICAL CONNECTIONS.

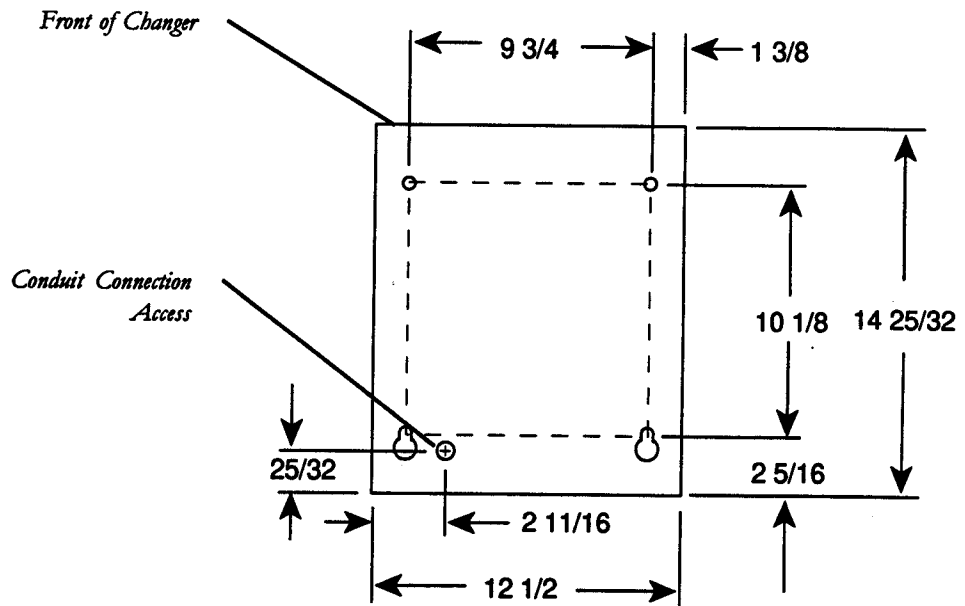
THE CONDUIT CAN BE INSTALLED THROUGH THE BOTTOM OR THROUGH THE BACK BY REVERSING THE ELECTRICAL PLATES. THE POSITION OF THE POWER CORD CAN BE CHANGED IN THE SAME MANNER.

C-2/4 POWER REQUIREMENTS: 120 VAC (MIN. 105 VAC), 60 Hz
 SHIPPING WEIGHT: 78 lbs. (220 or 240 VAC, 50 HZ optional)

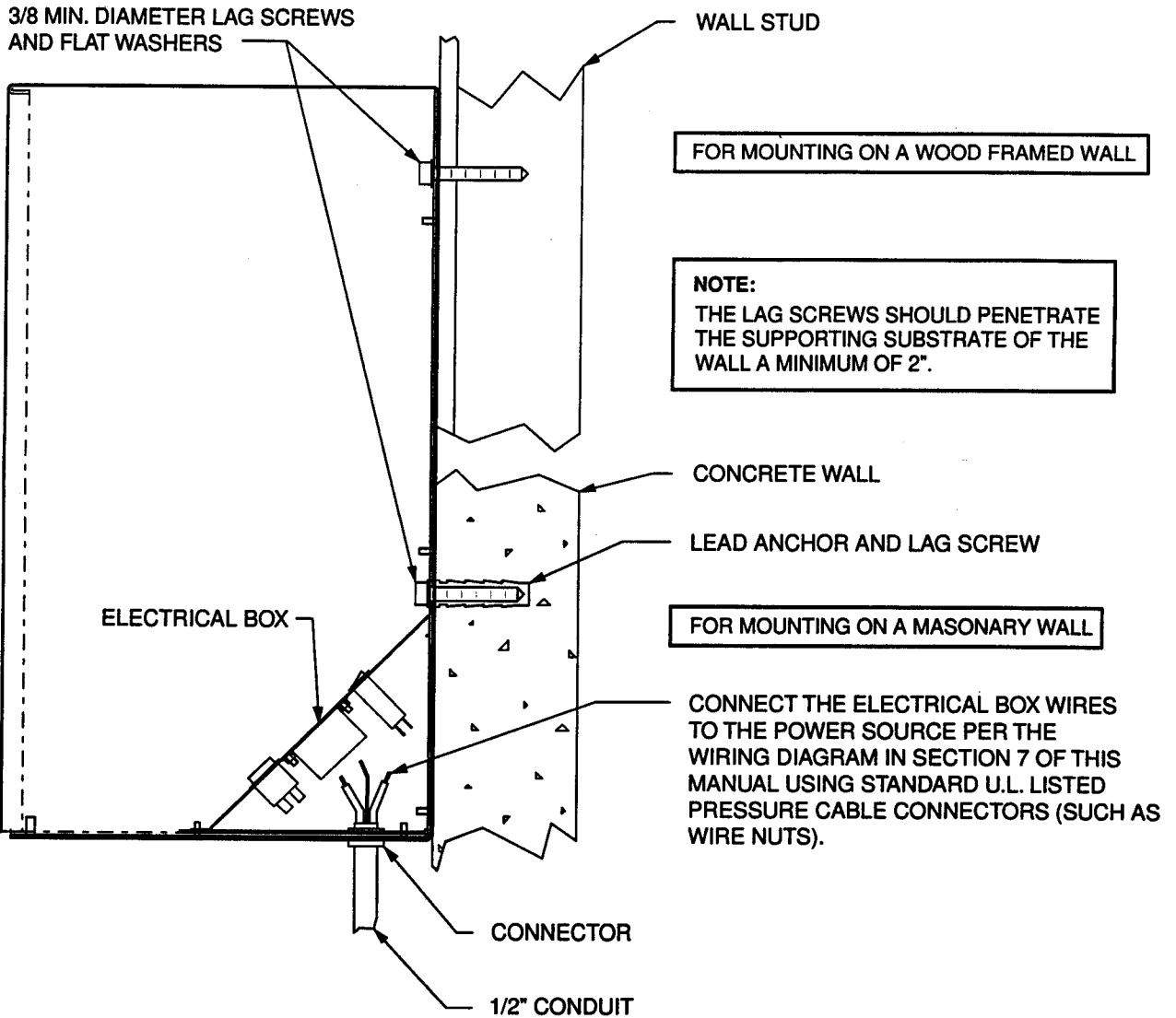
Figure 2-2
C-6 Mounting
Diagram



FRONT VIEW
C-6 Wall Mounting Dimensions



BOTTOM VIEW
C-6 Table or Countertop Mounting Dimensions



WARNING:
BE SURE THAT YOU READ AND UNDERSTAND THE WARNINGS AND INSTRUCTIONS IN THIS SECTION OF THE MANUAL BEFORE MAKING ANY ELECTRICAL CONNECTIONS.

THE CONDUIT CAN BE INSTALLED THROUGH THE BOTTOM OR THROUGH THE BACK BY REVERSING THE ELECTRICAL PLATES. THE POSITION OF THE POWER CORD CAN BE CHANGED IN THE SAME MANNER.

C-6 POWER REQUIREMENTS: 120 VAC (MIN. 105 VAC), 60 Hz
SHIPPING WEIGHT: 99 lbs. (220 or 240 VAC, 50 HZ optional)

POWER CONNECTION

Always obey local codes and ordinances when making Power connection.

LINE CORD

On 120 VAC models, the Bill Changer power cord can be plugged into any standard three-hole 120 VAC outlet. Do not connect your Bill Changer using a two-pronged grounding adaptor. For 220V/240 VAC operation, install an appropriate connecting plug for your location, follow local safety codes and regulations, and make an earth connection to the case if allowed. To avoid possible voltage spikes that might effect the Bill Changer, do not operate any other high-wattage equipment on the same circuit with the Bill Changer.

The line cord comes factory installed through the back of the changer. Some installations require that the position of the cord be changed to run through the bottom of the changer. This can be done by removing the screws that hold the electrical box in place and reversing the electrical plates underneath (*Figure 2-1, 2-2*).

CAUTION:

To avoid the hazard of serious electrical shock and/or damage to the Bill Changer, direct wiring to the Bill Changer should only be attempted by a person familiar with proper electrical wiring procedures.

CONDUIT

If the changer is rigidly mounted to a wall, U.L. requirements specify that a direct power connection be made to the changer through a rigid, 1/2 inch conduit.

If a conduit is required for your installation, remove the nuts that hold the electrical box in place, and disconnect the standard line cord and strain relief. The conduit connector will run through the 7/8" diameter round hole in the electrical plate. Position the electrical plates so that the conduit will run either out the bottom or the back of the changer — whichever suits your installation — while blocking off the unused hole.

To install the conduit, cut the connectors of the line cord leaving three inches of wire on each connector. Connect these electrical box wires to the power source per the wiring diagram in Section 7 of this manual using standard U.L. listed pressure cable connectors (such as wire nuts).

CAUTION:

To avoid serious electrical shock, disconnect power at the source before making any electrical connections.

SECTION 3:

LOADING & AUDITING

INTRODUCTION

This section provides instructions for loading and unloading the Century Series coin hopper.

LOADING THE BILL CHANGER

NOTE:

The hopper may be loaded with either quarters, dimes, nickels, OR tokens – but different coin types may not be mixed in the hopper.

Refer to Section 4: PROGRAMMING to change the default coin payout.

Loading the hopper is easiest when the coins are delivered via a coin bag. Hopper capacities vary depending on the machine model, hopper type, and coin/token size. Tables 3-1 and 3-2 give approximate capacities.

C2/C4 Hopper Capacities

Hopper Type	Dimes 17.9mm	Nickels 21.21mm	Quarters 24.25mm	.984" Tokens 25mm	SBA \$1/ Canadian \$1 26.5mm	Canadian \$2 (1.10") 27.95mm	1.125" Tokens 28.57mm
65094904 (Small Coin)	5000	2400	2100	N/A	N/A	N/A	N/A
65094905 (Large Coin)	N/A	N/A	1850	1600	1400	1200	1000

Table 3-1

C6 Hopper Capacities

Hopper Type	Dimes 17.9mm	Nickels 21.21mm	Quarters 24.25mm	.984" Tokens 25.0mm	SBA \$1/ Canadian \$1 26.5mm	Canadian \$2 (1.10") 27.95mm	1.125" Tokens 28.57mm
65092901 (Small Coin)	8000	4000	3400	N/A	N/A	N/A	N/A
65092902 (Large Coin)	N/A	N/A	3200	3000	2200	2100	1800

Table 3-2

LOADING THE HOPPER

Refer to Figure 3-1 and load the hopper as follows:

1. Open front door as far as it will go without releasing the door latch. On the C-6 ONLY, lift up the hopper catch and pull the hopper out to the second catch position.
2. Twist the top of a full coin bag one full turn. Grasp the twisted top with one hand and hold the bottom of the bag with the other. Invert the bag and insert the top into the mouth of the hopper.
3. Slowly release the twist as the bag empties. Avoid spilling coins into the changer. When the bag is almost empty, grasp it at the bottom and shake it to dislodge coins tucked in the folds of the bag.

Figure 3-1.
Hopper Loading
(C-2/4 Shown)

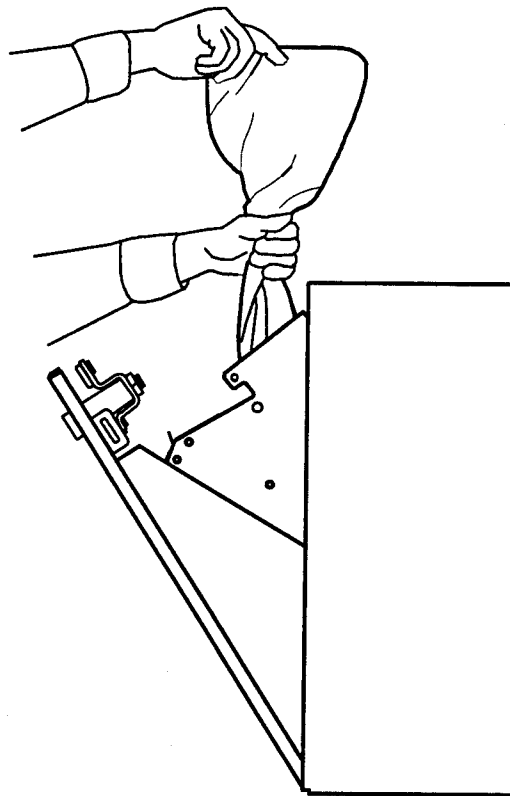
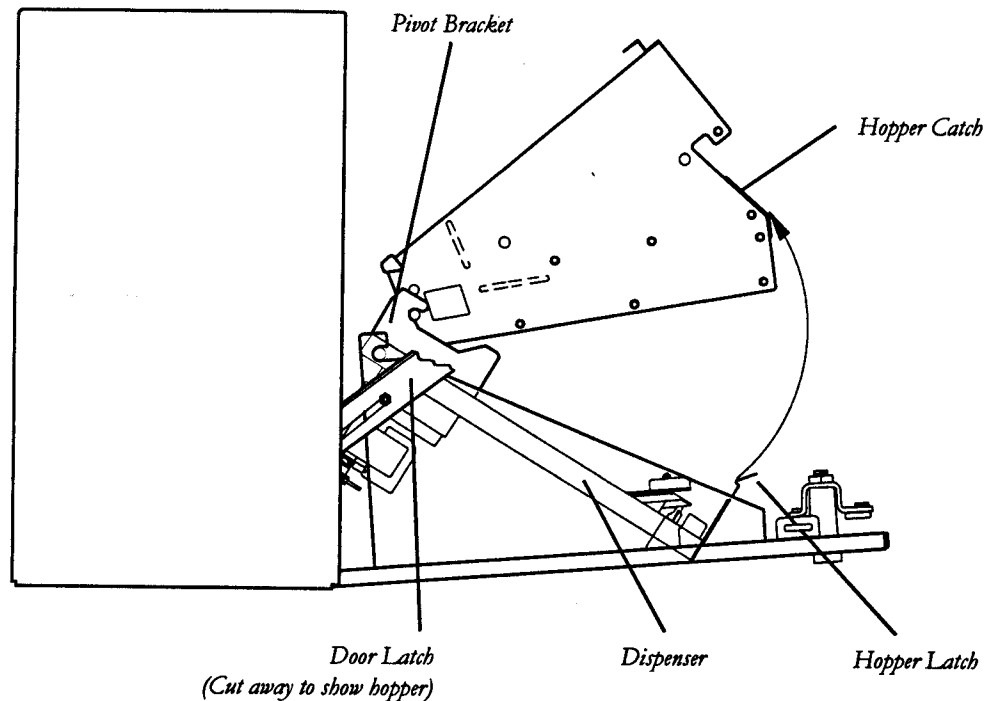


Figure 3-2
Removing the
Hopper C-2/4



NOTE:

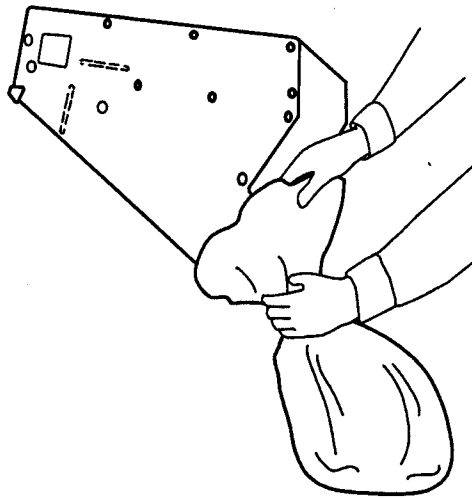
If the hopper is full, place your hand or an empty bag over the hopper opening to keep coins from spilling out of the top of the hopper.

UNLOADING THE HOPPER C-2/4

Refer to Figure 3-2 as you remove the hopper as follows:

1. Open the door as far as it will go without releasing the door latch.
2. While supporting the door with one hand, lift the latch handle to release the door latch and lower the door all the way down (See Figure 3-2).
3. Release the hopper catch and lift the hopper out.
4. Place the top of the bag over the hopper opening. Invert the hopper over the bag to empty it (Figure 3-3).
5. Replace the hopper. Be sure it is sitting securely in the pivot brackets, snug against the dispenser plate, and the catch is engaged (Figure 3-2).

Figure 3-3
Emptying the
Hopper

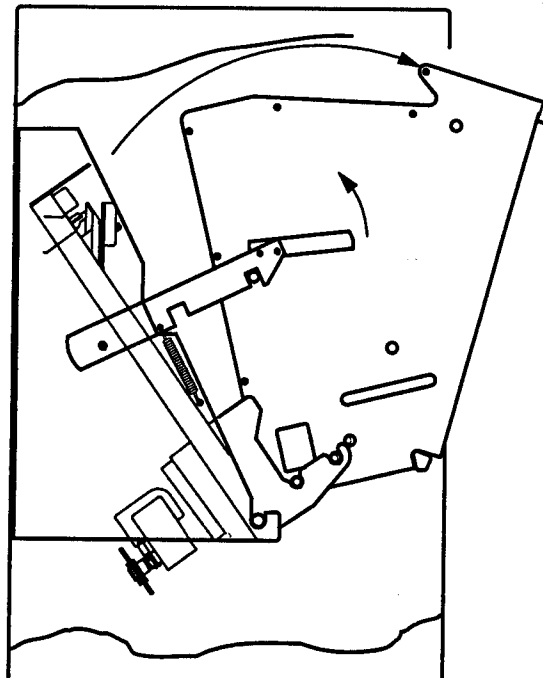


UNLOADING THE HOPPER C-6

Refer to Figure 3-4 as you remove the hopper as follows:

1. Open the door as far as it will go without releasing the door latch.
2. While supporting the door with one hand, lift the latch handle to release the door latch and lower the door all the way down (See Figure 3-4).
3. Lift up the hopper catch and pull the hopper out past the second catch position. Lift the hopper out.
4. Place the top of the bag over the hopper opening. Invert the hopper over the bag to empty it (Figure 3-3).

Figure 3-4
Removing the
Hopper C-6



Hopper shown in second
catch - loading position.
Lift handle and pull hopper
forward to remove.

Auditing

There are three pieces of information needed in order to thoroughly audit your bill changer. The amount of cash removed from the bill box (and coin box if you have a coin acceptor-equipped C-6) should match the difference in money counter readings. Also, the difference between the number of coins (or tokens) initially loaded in the hopper and the remaining number should match the total cash removed multiplied by the number of coins or token paid per unit or cash input. Some examples follow:

C2	C6
Initially	Initially
Accepts: \$1 and \$5	Accepts: \$1, \$5, \$10 and 25¢
Payout: 25¢ (4 for \$1, 20 for \$5)	Payout: Tokens (.984")
Initial Hopper Load: 2,000 coins	(1 for 25¢, 4 for \$1, 24 for \$5, 50 for \$10)
Initial Counter Reading: 047233	Initial Hopper Load: 3,000 coins
	Initial Counter Reading: 047233
At Service Interval	At Service Interval
Intake Check:	Intake Check:
Removed:	Removed:
$276 \times \$1 = \276	$40 \times .25 = \$10$
$26 \times \$5 = \130	$154 \times \$1 = \154
Total Intake = \$406	$26 \times \$5 = \130
	$23 \times \$10 = \260
Counter Reading: 047639	Total Intake = \$524
Counter Difference $47639 - 47233 = 406$ ✓	Counter Reading: 047757
	Counter Difference $47757 - 47233 = 524$ ✓

Coin Count Check:	Coin Count Check:
Hopper Contents: 376 Coins	Hopper Contents: 570 Tokens
Should have dispensed:	Should have dispensed:
$276 \times 4 = 1104$	$40 \times 1 = 40$
$26 \times 20 = 520$	$154 \times 4 = 616$
Total = 1624	$26 \times 24 = 624$
Actual dispensed:	$23 \times 50 = 1150$
2000 (initial)	Total = 2430
$- 376$ (remaining)	Actual dispensed:
1624 ✓	3000 (initial)
	$- 570$ (remaining)
	2430 ✓

This page intentionally left blank.

SECTION 4: PROGRAMMING

PROGRAMMING THE CENTURY 2 AND CENTURY 4 BILL CHANGERS

There are three pushbuttons and one slide switch on the controller board. These are used to perform all programming activities.

The Program switch is positioned to the left for normal operations. In this position, if everything is normal, a dash will walk across the four displays, from left to right. If an error has occurred, an error code will be displayed, indicating what has caused the error. See Section 6 for Troubleshooting information.

Sliding the Program switch to the right will place the controller in the programming mode. In this mode the type of coin acceptor, bill validator, mode of operation, and payouts for each bill may be set or adjusted.

The pushbutton switch on the left is the mode switch and is used to step through the options. The middle and right hand switches are used for adjusting the options choices or payout amounts. The middle switch steps up and the right switch steps down.

The middle and right switches are also used to reset the error codes. See Section 6 for details.

PROGRAMMING

NOTE:

Use Pulse setting for Rowe UBA or CBA2 in a Century 2. Use Serial setting for Mars VN2501, Coinco BA30SA, or CashCode, etc. Use the Serial setting for all applications in the Century 4 and Century 6. All bill validators must be 120 VAC or 12VDC. An additional transformer (not supplied by Rowe) is required for 24VAC operation.

NOTE:

If the Coin Acceptor type was set to 0 - no acceptor installed - these options will not be displayed. If the Coin Acceptor type was set to type 1, only C1 through C4 will be displayed.

Slide the normal / program switch to the right. The display will show *Pr o S*.

Press the mode button once for each option to be programmed. The options appear on the display in order as shown below. When a setting has been changed, always press the mode button at least once to "save" the setting.

Coin Acceptor Settings

This option selects the type of Coin Aceptor installed in the machine. Using the up and down pushbuttons choose the appropriate type.

C2 and C4

This setting must be set to 0 as no coin acceptors can be installed in these models.

C6

No Coin Acceptor is installed

A Standard Coin Acceptor is installed. (4 coin types max.)

A Special Electronic Coin Acceptor is installed. (8 coin types max.)

Coin type 1. This option selects the coins to be accepted. Use the up and down pushbuttons to enable or disable the displayed coin type. If the value is set to 0, the changer will not recognize that coin. If the value is set to 1, that coin will be recognized, and the change will be paid. Be sure to set the coin acceptor to accept *only* those coins you want accepted as the changer controller *cannot* control which coins the coin acceptor will accept and send to the cashbox.

Coin type 2. Program as in above.

Coin type 3. Program as in above.

Coin type 4. Program as in above.

Coin type 5. Program as in above.

Coin type 6. Program as in above.

Coin type 7. Program as in above.

Coin type 8. Program as in above.

Bill Acceptor Settings

bA 1 This option selects the type of Bill Acceptor installed in the machine.

Using the up or down pushbuttons select the appropriate type.

1 Pulse type Bill Acceptor is installed. (2 bill types max.)

2 Serial type Bill Acceptor is installed. (7 bill types max.)

b1 This option selects the bills to be accepted. Use the up and down pushbuttons to enable or disable the displayed bill type. If the value is set to 0, the changer will not recognize that bill. If the value is set to 1, that bill will be recognized, and change will be paid. Be sure to set the bill acceptor to accept **only** those bills you want accepted as the changer *controller* cannot select which bills the bill acceptor will accept and store in the stacker. There is a maximum of 2 bills for the pulse type of Bill Acceptors. There is a maximum of 7 bills for the serial type Bill Acceptors.

b2 Bill type 2. Program as in **b1** above.

b3 Bill type 3. Program as in **b1** above.

b4 Bill type 4. Program as in **b1** above.

b5 Bill type 5. Program as in **b1** above.

b6 Bill type 6. Program as in **b1** above.

b7 Bill type 7. Program as in **b1** above.

Coin Ratio Settings

[r Set to type for the Century 2, 4 and 6.

Money Meter Settings

NOTE:

Setting the value of this option to 00 will disable the money counter.

This setting is **not** required on US or Canadian Models and will not appear in the setup sequence. On these models, the counter will increment once for every dollar inserted.

Pc 00 This option is used by the computer to calculate the number of times to increment the money counter when any particular denomination of coin or bill has been accepted. Bill Acceptors for different countries provide identical signals to indicate vastly different bills. For example, a single pulse from an English version of a popular brand means that a £5 bill was accepted; a single pulse from the same company's Mexican model means that a 10 Peso bill was accepted. Therefore, the input signal cannot be used to control the money counter increments as it does not indicate the same denomination from country to country.

To overcome this limitation, the computer of the Century changer provides this programmed variable to allow the user to define the money counter activity based on the number of coins or tokens *output* when a vend takes place.

This option selects the correct number of pulses to send to the money counter. The Pulse Count should be set to the number of coins from the hopper required to advance the Money Counter 1 count. Use the up and down pushbuttons to select the appropriate setting. Any value between 00 and 99 may be set.

Examples:

You want the Counter to count Pesos, and are dispensing ½ Peso coins from the hopper. Since there are 2 coins per Peso, choose **Pc 02**. For every 2 coins delivered, the counter will increment - if a 10 Peso bill is accepted and there are 20 coins paid for this value, the counter will increment $20 / 2 = 10$ counts.

You want to count Pesos and are dispensing 10 Centavo coins. Since there are 10 coins per Peso, choose **Pc 10**. For every 10 coins delivered, the counter will increment - if a 10 Peso bill is accepted and there are 100 coins paid for this value, the counter will increment $100 / 10 = 10$ counts.

Coin Level Settings

L1 0.0 This option informs the controller of the minimum number of coins remaining in the hopper when it's low-level sensor signals that a low level has been reached. Use the up and down pushbuttons to set this option to an appropriate value. Any value between 60 and 990 may be set in 10 coin increments.

These settings are used so that the changer can dispense the maximum number of coins or tokens, without the possibility of shortchanging a customer, before going out of service for lack of coins. The number you program here lets the computer know how many coins remain in the hopper when the coin level sensing system signals a low level.

BB.BB The decimal point at the center of the display digits indicates the state of the low-level sensor. The decimal point indicates that a low-level condition exists in the hopper when it is lit.

The setting depends on the type of hopper being used and the type of coin or token loaded. To choose the correct setting, use one of the tables below based on the hopper and coins being used:

Recommended Low Coin Settings for Century 2 and 4

SMALL COINS HOPPER (65094904)			
US 5¢ (21.21mm)	US 10¢ (17.9mm)	US 25¢ (24.25mm)	.880" Token (22.35mm)
160	350	140	150

LARGE COINS TOKEN HOPPER (65094905)			
US 25¢ (24.25mm)	US SBA Dollar (26.5mm)	.984" Token (25mm)	Can. \$2 (28mm)
130	70	90	55

Recommended Low Coin Settings for Century 6

SMALL COINS HOPPER (65092901)			
US 5¢ (21.21mm)	US 10¢ (17.9mm)	US 25¢ (24.25mm)	.880" Token (22.35mm)
220	500	200	210

LARGE COINS TOKEN HOPPER (65092902)			
US 25¢ (24.25mm)	US SBA Dollar (26.5mm)	.984" Token (25mm)	Can. \$2 (28mm)
150	110	140	80

There is a second limitation on the number you set into the computer—it *must* be at least 30 higher than the highest number of coins or tokens to be paid to the customer.

You *must* choose the hoppers, coins or tokens used, and/or the operating mode as appropriate in order to maintain this 30 coin margin.

Payout Settings

Coin Payout Setting - Century 6 Only

These options will set the number of coins dispensed from the hopper for the coin types set earlier. If a Coin type is disabled, its payout amount setting will not be displayed.

1 c 00. Payout for Coin type 1. This option sets the number of coins dispensed from the hopper. Use the up and down pushbuttons to set this option to an appropriate value. Any value between 00 and 99 may be set.

2 c 00. Payout for Coin type 2. Program as in *1 c 00*. above.

3 c 00. Payout for Coin type 3. Program as in *1 c 00*. above.

4 c 00. Payout for Coin type 4. Program as in *1 c 00*. above.

5 c 00. Payout for Coin type 5. Program as in *1 c 00*. above.

6 c 00. Payout for Coin type 6. Program as in *1 c 00*. above.

7 c 00. Payout for Coin type 7. Program as in *1 c 00*. above.

8 c 00. Payout for Coin type 8. Program as in *1 c 00*. above.

Bill Payout Settings

These options will set the payout of coins for each type of bill accepted. If a bill type is disabled, its payout setting will not be displayed.

1 b 00. This option sets the number of coins dispensed from the hopper for the bill types set earlier. Use the up and down pushbuttons to set the payout to the desired value. Any value between 00 and 99 may be set.

2 b 00. Payout for Bill type 2. Program as in *1 b 00*. above.

3 b 00. Payout for Bill type 3. Program as in *1 b 00*. above.

4 b 00. Payout for Bill type 4. Program as in *1 b 00*. above.

5 b 00. Payout for Bill type 5. Program as in *1 b 00*. above.

6 b 00. Payout for Bill type 6. Program as in *1 b 00*. above.

7 b 00. Payout for Bill type 7. Program as in *1 b 00*. above.

8 b 00. Payout for Bill type 8. Program as in *1 b 00*. above.

Programming Examples

Example 1:

Typical for US/Canadian C2 Model

Coin accepted: None

Bills accepted: \$1 (US), \$5

Hopper: Small Coin (65094904)

Payout 25¢

Machine settings:

CR 0 No coin acceptor installed.
BR 1 Pulse type Validator installed.
b1 1 Bill value 1 accepted (\$1 US)
b2 1 Bill value 2 accepted (\$5)
Cr 0 Always set to 0 for the C2
L1 40. 140 coins – See Chart
1b04. 4 x .25 = 1.00
2b20. 20 x .25 = 5.00
 end of programming

Example 2:

Typical for US/Canadian C4 Model or
 C6 without Coin Acceptor

Coin accepted: None

Bills accepted: \$1, \$5, \$10, \$20

Hopper: Small Coin (65094904 - C4)
 or (65092901 - C6)

Payout 25¢

Machine settings:

CR 0 No coin acceptor installed.
BR 2 Serial type Validator installed.
b1 1 Bill value 1 accepted (\$1 US)
b2 0 Bill value 2 not accepted (\$2)
b3 1 Bill value 3 accepted (\$5)
b4 1 Bill value 4 accepted (\$10)
b5 1 Bill value 5 accepted (\$20)
b6 0 Bill value 6 not accepted (\$50)
b7 0 Bill value 7 not accepted (\$100)
Cr 0 Always set to 0 for the C4 and C6

C4–

L1 40. 140 coins – See Chart

C6–

L200. 200 coins – See Chart

1b04. 4 x .25 = 1.00 (US only)

3b20. 20 x .25 = 5.00

4b40. 40 x .25 = 10.00

5b80. 80 x .25 = 20.00

end of programming

Programming Examples

Example 3:

Typical for C2 Model

Coin accepted: None

Bills accepted: £5 and £10 (England)

Hopper: Small Coin (65094904)

Payout £1 (22.5mm Dia.)

Machine settings:

CR 0 No coin acceptor installed.
bA 1 Pulse type Validator installed.
b1 1 Bill value 1 accepted (£5)
b2 1 Bill value 2 accepted (£10)
Cr 0 Always set to 0 for the C2
Pc01 1 Coin per £
L1 50. 150 coins – See Chart
1b05. 5 x £1 = £5
2b10. 10 x £1 = £10
end of programming

Example 4:

Typical for C4 Model or
C6 without Coin Acceptor

Coin accepted: None

Bills accepted: 10, 20 and 50 Peso

Hopper: Small Coin (65094904 - C4)
or (65092901 - C6)

Payout 1 Peso (24mm Dia.)

Machine settings:

CR 0 No coin acceptor installed.
bA 2 Serial type Validator installed.
b1 1 Bill value 1 accepted (10 Peso)
b2 1 Bill value 2 accepted (20 Peso)
b3 1 Bill value 3 accepted (50 Peso)
b4 0 Bill value 4 not accepted
b5 0 Bill value 5 not accepted
b6 0 Bill value 6 not accepted
b7 0 Bill value 7 not accepted
Cr 0 Always set to 0 for the C4 and C6
Pc01 1 Coin per Peso

C4–

L1 40. 140 coins – See Chart

C6–

L200. 200 coins – See Chart

1b10. 10 x 1 = 10 Peso

2b20. 20 x 1 = 20 Peso

3b50. 50 x 1 = 50 Peso

end of programming

Programming Examples

Example 5:

Typical for C6 Model with Coin Acceptor

Coin accepted: \$1

Bills accepted: \$1, \$5, \$10, \$20

Hopper: Small Coin (65092901)

Payout 25¢

Machine settings:

CR 1 Std. Coin acceptor installed.
BR 2 Serial type Validator installed.
C1 1 Coin 1 accepted (\$1)
b1 1 Bill value 1 accepted (\$1)
b2 0 Bill value 2 not accepted (\$2)
b3 1 Bill value 3 accepted (\$5)
b4 1 Bill value 4 accepted (\$10)
b5 1 Bill value 5 accepted (\$20)
Cr 0 Always set to 0 for the C6
L200. 200 coins – See Chart
1C04. 4 x .25 = \$1
1b04. 4 x .25 = \$1
3b20. 20 x .25 = \$5
4b40. 40 x .25 = \$10
5b80. 80 x .25 = \$20
 end of programming

Example 6:

Typical for Canadian C6 with Mars ME330

Coin Acceptor

Coin accepted: \$2

Bills accepted: \$5, \$10, \$20

Hopper: Large Coin (65092902)

Payout \$1

Machine settings:

CR 2 Electronic coin acceptor installed.
BR 2 Serial type Validator installed.
C1 0 Coin value 1 not accepted (5¢)
C2 0 Coin value 2 not accepted (10¢)
C3 0 Coin value 3 not accepted (25¢)
C4 0 Coin value 4 not accepted (Can. \$1)
C5 0 Coin value 5 not accepted (US 25¢)
C6 0 Coin value 6 not accepted (US \$1)
C7 1 Coin value 7 accepted (Can. \$2)
C8 0 Coin value 8 not accepted
b1 0 Bill value 1 not accepted (\$1)
b2 0 Bill value 2 not accepted (\$2)
b3 1 Bill value 3 accepted (\$5)
b4 1 Bill value 4 accepted (\$10)
b5 1 Bill value 5 accepted (\$20)
b6 0 Bill value 6 not accepted
b7 0 Bill value 7 not accepted
Cr 0 Always set to 0 for the C6
L110. 110 coins – See Chart
7C02. 2 x \$1 = \$2
3b05. 5 x \$1 = \$5
4b10. 10 x \$1 = \$10
5b20. 20 x \$1 = \$20
 end of programming

SECTION 5:

MAINTENANCE & ADJUSTMENTS

INTRODUCTION

The modular design of the Century Series allows for fast field substitution and easy maintenance of changer components. This section provides instructions for removing Bill Changer components for service, and details mechanical maintenance procedures.

BILL ACCEPTOR

For specific Bill Acceptor information not included in this manual, refer to the *Bill Acceptor Field Service Manual and Parts Catalog* included with the Bill Changer.

REMOVING A JAMMED BILL — Rowe® Bill Acceptor Only

To remove a jammed bill from the Bill Acceptor, first try to determine where the bill is jammed in the transport.

Open the bill box and determine if the bill can be reached. If necessary, the gear on the side of the transport can be turned by hand, forward or reverse, to remove the bill.

If the bill is jammed near the bill inlet, first try removing it by turning the transport gear by hand. If this does not free the bill, you will need to remove the inlet. Follow the instructions in this section to remove the transport from the Bill Changer, then refer to Section 3 of your Bill Acceptor manual for instructions to remove the bill inlet.

If bills jam frequently, refer to the *Bill Jamming Checklist* in Section 3 of your Bill Acceptor manual.

If your Bill Changer is equipped with a non-Rowe Bill Acceptor, please refer to its manual for instructions.

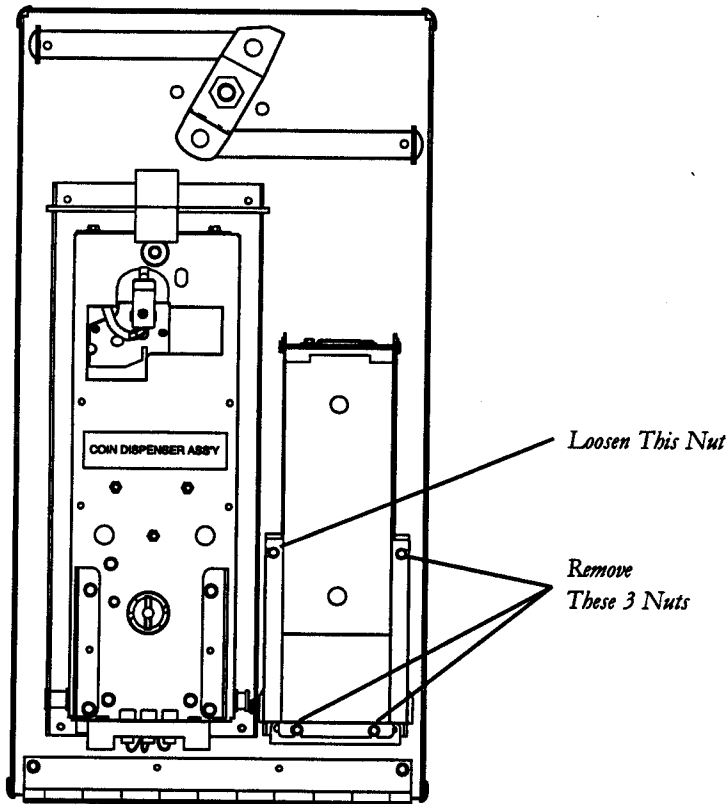
CAUTION:

Always turn the Bill Changer power to off before turning the Bill Acceptor gears by hand. Be careful not to pinch your fingers between the gears.

Figure 5-1
Removing the
Bill Acceptor
(C-2/4 Shown)

NOTE:

You may want to open the bill box in order to reach the screw between the Bill Acceptor body and the dispenser mounting frame.



NOTE:

If the hopper is full, place your hand or an empty bag over the hopper opening to keep coins from spilling out of the top of the hopper.

REMOVING THE BILL ACCEPTOR

Refer to Figure 5-1 as you remove the Bill Acceptor as follows:

1. Open the door as far as it will go without releasing the door latch.
2. While supporting the door with one hand, lift the latch handle to release the door latch and let the door all the way down.
3. *On the C-2/4 only*, remove the hopper following the instructions in Section 3, *Unloading the Hopper*.
4. Unplug the harness(es) from the Bill Acceptor.
5. Loosen the nut between the Bill Acceptor body and the dispenser mounting frame. Remove the other 3 nuts holding the Bill Acceptor in place. Remove the Bill Acceptor.

INSTALLING THE BILL ACCEPTOR

Refer to Figure 5-1 as you install the Bill Acceptor as follows:

1. Plug the connector(s) into the Bill Acceptor.
2. Install the Bill Acceptor to its mounting bracket by sliding it under the loosened nut, then replacing the other three #8-32 nuts. Tighten all nuts.

HOPPER

REMOVING THE HOPPER

If you are unfamiliar with the procedure to remove and replace the hopper, refer to *Unloading the Hopper* in Section 3 of this manual.

CLEANING THE HOPPER COIN PATH

NOTE:

Chain lubrication is not normally required.

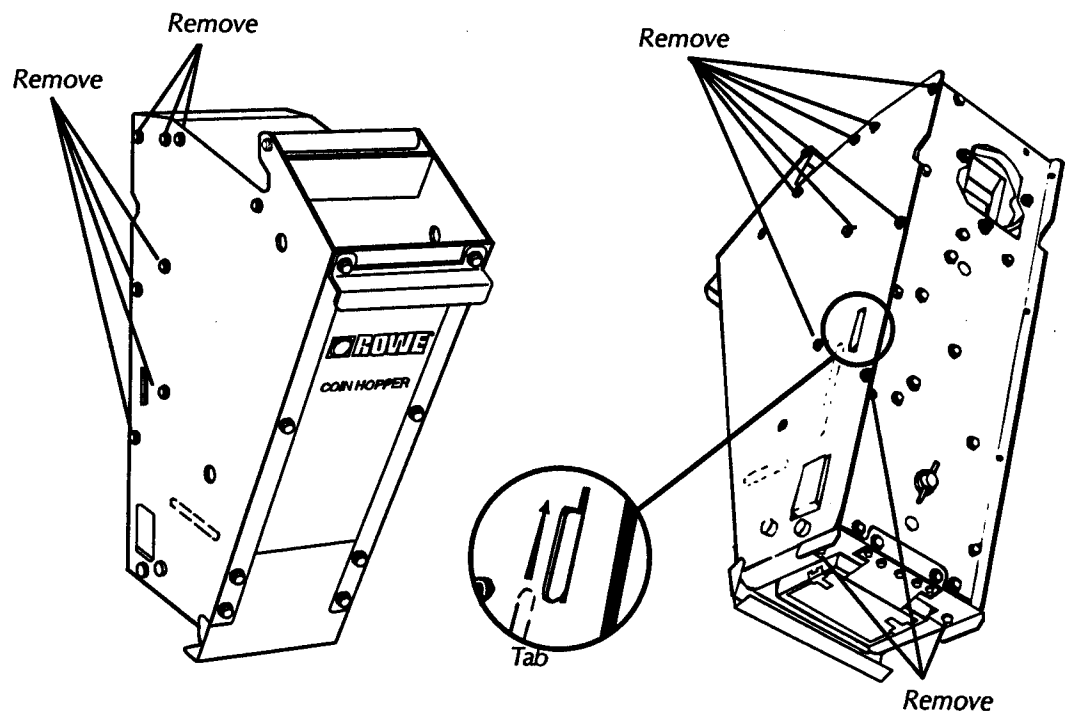
The coin tracks inside the hopper are Teflon coated to minimize dirt build-up. It may still be necessary to clean them at regular intervals, as dictated by the number of vends and the environment, to prevent dirt accumulation in the coin path.

Failure to keep the coin path clean may result in coins sliding out of the track, causing the *E r B* message to occur even though the hopper contains a sufficient amount of coins.

Clean the hopper as follows:

1. Remove the hopper from the bill changer and place it on a working surface.
2. Remove the black screws on each side of the hopper (*Figure 5-2, 17 total*), and lift the chain guide assembly up so that the tab (*Figure 5-2, enlarged*) can be pulled through the slot in the right hand side plate of the hopper assembly. When the tab is free, pull the chain guide assembly straight back out of the hopper.

Figure 5-2
Removing the
Hopper Chain
Guide Assembly



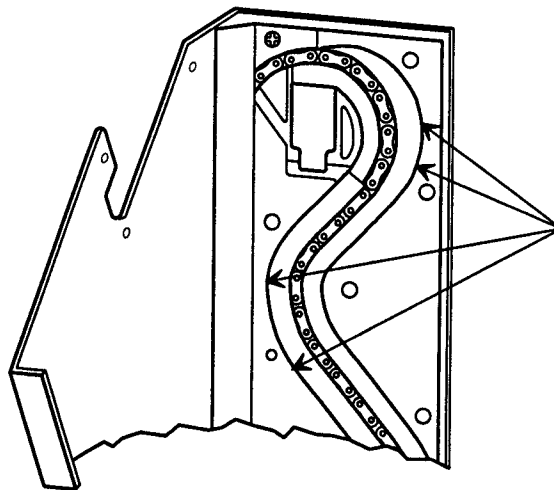
NOTE:

Do not use detergents to clean the hopper.

Detergent cleaners destroy the hopper's factory lubrication.

3. Using the Nylon hopper cleaning brush supplied with each machine, remove all dirt from the angular sides and flat surfaces of the serpentine coin path (*Figure 5-3*).
4. To reassemble the hopper, replace the chain guide assembly, securing the tab in its slot, and then *start* each of the screws removed in step 2. When all of the screws have been started, tighten all screws.
5. Replace the hopper in the bill changer. Be sure it is sitting securely in the pivot brackets, snug against the dispenser plate, and the catch is engaged.
6. Make a test vend to check for proper hopper operation.

Figure 5-3
Cleaning the
Hopper Coin Path



Clean top and angular coin path surfaces, especially at guide edges, as shown

HOPPER CHAIN ADJUSTMENT

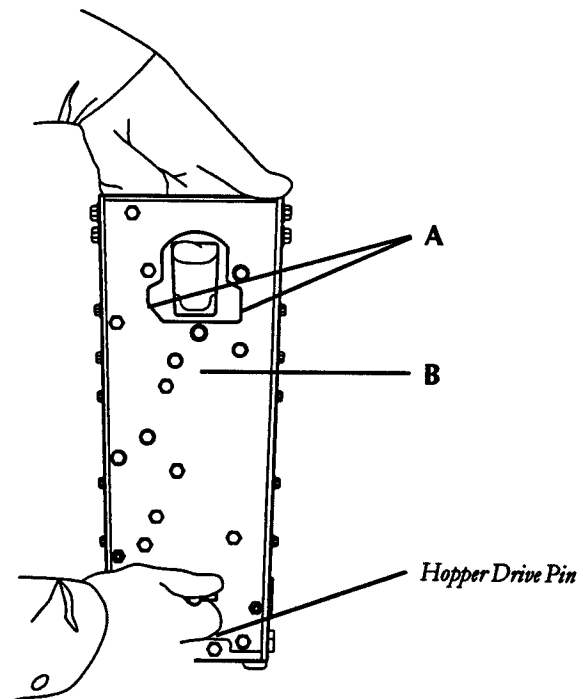
If the hopper coin path has been cleaned and the hopper still fails to operate correctly (jams or fails to pick up coins), you may need to adjust the hopper chain.

NOTE:

Make sure that all coins have been removed from the hopper before you adjust the chain tension.

1. Remove the hopper from the bill changer and empty it of all coins (*Section 3, Unloading the Hopper*).
2. Loosen the three screws at the top back of the hopper (*Figure 5-4, Ref. A and B*) which allow the black plastic upper chain guide ring to move diagonally upward.
3. Pull the chain guide ring up with your index finger as shown in *Figure 5-4*. At the same time, rotate the hopper drive pin clockwise with your other hand until all slack is removed from the chain, but no binding is evident.
4. Tighten the two top screws (*A*), and then the bottom screw (*B*), that you loosened in step 2. If a torque wrench is available, adjust the chain so that the torque input at the drive shaft is one to four inch pounds.

Figure 5-4
Hopper Chain
Adjustment



DISPENSER

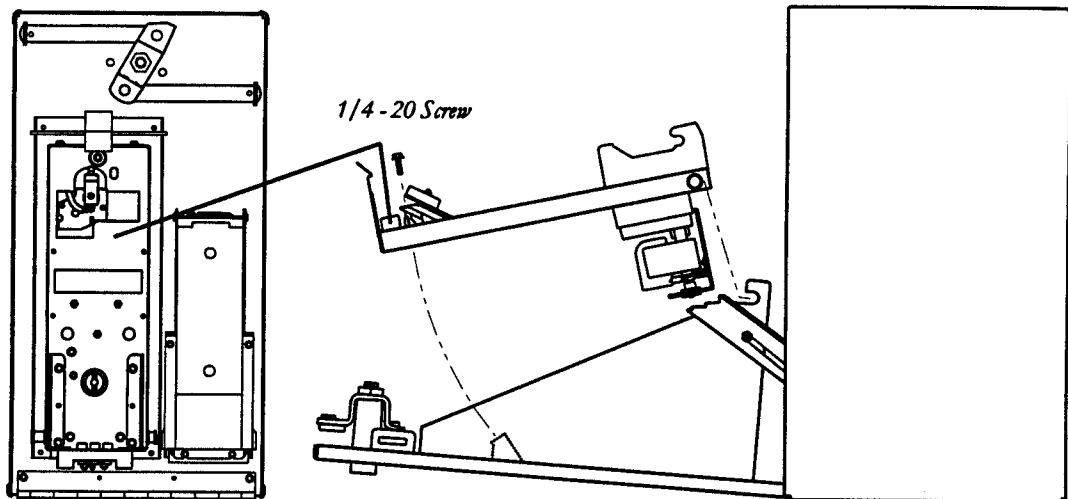
REMOVING THE DISPENSER ASSEMBLY

1. Remove the hopper from the dispenser assembly (*Section 3, Unloading the Hopper*).
2. Unplug the main harness from the dispenser.
3. Remove the 1/4 - 20 screw on the dispenser plate near the upper coin chute assembly (*See Figure 5-5 for C-2/4 and Figure 5-6 for C-6*).
4. Pivot and slide the dispenser assembly towards you and lift it off of its mounting bracket.

INSTALLING THE DISPENSER ASSEMBLY

1. Seat the dispenser assembly in its bracket with the motor toward the bracket.
2. Insert the 1/4 - 20 screw through the hole in the dispenser plate and thread it into the mounting bracket.
3. Plug the dispenser harness to the main harness.
4. Replace the hopper. Be sure it is sitting securely in the pivot brackets, snug against the dispenser plate, and the catch is engaged.

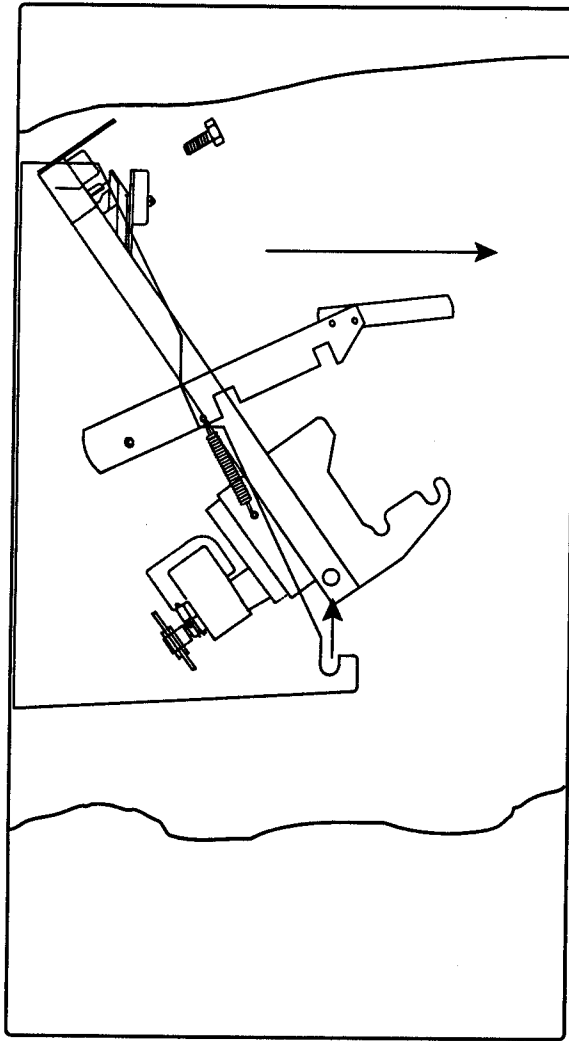
Figure 5-5
Removing
The Dispenser
Assembly
C-2/4



C-2/4 Door
(Hopper Removed)

Side View

Figure 5-6
Removing
The Dispenser
Assembly
C-6



This page intentionally left blank.

SECTION 6:

TROUBLESHOOTING & SELF-DIAGNOSTICS

INTRODUCTION

The Century Series Bill Changers offer a number of self-diagnostic features that aid in troubleshooting. The microcomputer in the Changer Control Computer (CCC) monitors the changer functions, and displays an error code if it detects a malfunction. The meaning of each of the two-character error codes, and instructions for correcting each error, are discussed in this section.

This section also describes miscellaneous problems that can occur but may not cause an error code to be displayed, as well as checking procedures used to verify that the Bill Changer is functioning properly.

TROUBLESHOOTING

Logical troubleshooting minimizes the effort and expense of removing and replacing the wrong part. The *Corrective Actions* in this section are written in order from the most common to least probable solution, to help you put your Bill Changer back in service quickly, and with as little effort as possible.

Many failures are caused by minor problems such as loose connections or dirty contacts. Before replacing any parts, check to make sure that all plugs are firmly seated and that connector pins are not bent, broken, or pushed through the back of the connector when mated.

WARNING:

The Bill Changer operates on 120 or 220/240 VAC line voltage. If any possibility exists that the wall outlet may be wired backwards, or if the changer is connected to a wall outlet via a two-pronged grounding adapter, pull the plug from the outlet before attempting troubleshooting procedures. Failure to do so could result in serious electrical shock.

CLEARING BILL CHANGER ERROR CODES

After performing one of the *Corrective Actions*, reset the Bill Changer by pushing the UP and DOWN buttons simultaneously on the CCC while the NORMAL/PROGRAM switch is in the NORMAL position. If the error has been corrected, a dash will move from left to right across the 4-character status display.

If necessary, perform a test vend (or a number of them) with a valid bill to make sure that the error does not reappear.

ERROR CODES

The self diagnostic features of the Century Series Bill Changers are centered around the four-character status display on the CCC. The message displayed will tell you the type of fault encountered.

A description of each of the possible Bill Changer error codes follows. The Bill Acceptor may experience an error condition that is not communicated to the Changer Control. This is particularly true when pulse-type Bill Acceptors are used. There may be no indication that the Changer is disabled, but there will be no activity with the Bill Acceptor due to such an internal malfunction. In these cases, refer to the status indicator on the Bill Acceptor itself - and the Bill Acceptor Manual provided - in order to isolate and solve the problem.

ERROR CODES:

Er 1

Problem:

No coins or bills are accepted.

Symptom:

The changer is in shutdown due to an EEPROM error.

Corrective Action:

1. **Enter the programming mode and check each program option.**
2. **Reprogram the machine if necessary.**
3. **Exit the programming mode. If the error returns, replace the CCC.**

Er 2

Problem:

The changer did not payout coins for a bill accepted. A bill may have been stacked but no payout made.

Symptom:

The changer is in shutdown because the bill acceptor sent the credit signal for a bill that was not programmed.

Corrective Action:

1. **Verify that if a bill type is enabled at the bill acceptor, it is also enabled and the payout for that bill is programmed into the CCC. Verify proper setup of the bill acceptors' switch or jumper settings. See setup instructions provided by the bill acceptor manufacturer for further instructions.**

Er 3

Problem:

The changer did not payout coins for a bill accepted. A bill may have been stacked but no payout made.

Symptom:

The changer is in shutdown because the bill acceptors' output pulse was too long.

Corrective Action:

1. **Check wiring harness from CCC to bill acceptor for a short to ground.**
2. **Replace bill acceptor.**

Er 4

Problem:

No coins or bills are accepted.

Symptom:

The changer is in shutdown because of a fault with the bill acceptor.

Corrective Action:

1. **Check for a full bill acceptor stacker.**
2. **Check for any debris in the bill acceptor.**
3. **Replace the bill acceptor.**

Er 5

This error should never occur in a Century 2, 4, or 6 Changer. If it does, replace the CCC.

Er 6

Problem:

The changer did not payout the correct number of coins.

Symptom:

The changer is in shutdown because no coins were paid out of the hopper for 60 seconds after the dispenser was enabled or for 60 seconds after the previous coin during a dispense cycle.

Corrective Action:

1. **Make sure the hopper is lifting the coins into the coin chute.** Check for dirt build-up on the coin path (See Section 5). Check for coin jam or binding parts in the hopper.
2. **Check the hopper motor.** Remove the hopper and clear the error code. Perform a test vend on the changer using a valid bill or coin. If the motor runs, check carefully for excessive bind in the hopper (See Section 5). If the motor does not run, check for 120 VAC at the hopper motor. If voltage is present, the motor is defective. If there is no voltage present, proceed to Step 3.
3. **Check for voltage at the CCC connection to the dispenser harness.** If 120 VAC is present between P3 Pin 6 and P3 Pin 9, then the harness is at fault. Disconnect the 120 VAC, either at the wall plug or by disconnecting the harness at P4 on the CCC and then check for continuity between pin 6 and the hopper motor and pin 9 and the hopper motor. If continuity test fails, repair or replace the harness.

Note:

If the motor feels very hot to the touch, wait until it cools down, then reset the CCC. Insert a bill to test for proper operation. If the motor operates after cooling off, check hopper for coin jams or binds.

Er 7

Problem:

The changer may have paid an extra coin from the hopper.

Symptom:

The changer is in shutdown because two extra coins have been paid out, since the last time the changer was reset.

Corrective Action:

1. **Check for mechanical problems with the dispenser assembly.** Most likely the cause is mechanical, rather than electrical. Check the hopper motor brake's stop-pawl for wear or breakage. Check magnetic brake actuator for binds or sticking. Repair or replace hopper motor.
2. **Check the wiring to the photo-detector cell and LED on the dispenser assembly for loose connections or pinched wiring.** Repair wiring or replace photo-detector cell or LED.

Er 8

This error should never occur in a Century 2, 4, or 6 Changer. If it does, replace the CCC.

Er 9

Problem:

The changer may have paid an incorrect number of coins.

Symptom:

The changer is in shutdown because the coin-detector is (or was) blocked.

Corrective Action:

1. **Check for debris such as paper or a foreign object stuck between the photo-detector and the LED on the dispenser assembly.**
2. **Verify that the LED is lit.** Check the wiring to the photo-detector cell and LED on the dispenser assembly for loose connections or pinched wiring. Repair wiring or replace photo-detector cell or LED.

Er 10

Problem:

Programming Error.

Symptom:

The computer will not exit the programming mode because there is an error in the present setup.

Corrective Action:

1. **A programmable setting is not correct for the conditions under which it was set.** An example of this would be an additional bill type was enabled, but the payout settings for that bill type were not set. Verify all programming options and make any necessary changes. If the settings are correct, and the error persists, replace the CCC.

Er 12

Problem:

The changer is out of service.

Symptom:

The last customer was most likely short-changed due to loss of power during the payout cycle.

Corrective Action:

1. **Make certain that there is a continuous power source connected to the Changer.** Check to be certain that the supply is again restored properly. Check the fuse or circuit breaker is OK.
2. Check the internal circuit breaker (5A) and the ON-OFF switch for intermittent contact.
3. If the problem recurs, and power failure can be completely ruled out, replace the CCC.

Er 13

This error should never occur in a Century 2, 4, or 6 Changer. If it does, replace the CCC.

Er 14

This error should never occur in a Century 2, 4, or 6 Changer. If it does, replace the CCC.

Er 15

This error should never occur in a Century 2, 4, or 6 Changer. If it does, replace the CCC.

Er16

Problem:

The changer does not contain enough coins to continue in service.

Symptom:

The changer is in shutdown because the low coin level sensor in the hopper has signalled a low level and the CCC has counted down to within 25 coins of the maximum payout.

Corrective Action:

1. **Refill the hopper with the appropriate coins or tokens.**
2. **If the hopper contains sufficient coins, check the low level sensing circuit.** The decimal point on the second-from-left 7-segment display is used as a low coin condition indicator for the hopper when lit.

If a low-level indicator is lit, but the hopper contains sufficient coins, the low coin level sensing circuit should be checked for proper operation.

3. **Remove the hopper.** The low-level indicator LED should not be lit. If it is lit, check the wiring between the low-level sensor contacts on the dispenser assembly and the CCC for pinched or shorted wiring. The voltage across pins 2 & 5 of P3 on the CCC should be 4.5 - 5.0 VDC. If this is the case, replace the hopper, or repair the low-level sensing circuits in the hopper.

Er21 or Er22 or Er23

Problem:

The changer goes out of service when trying to exit the programming mode.

Symptom:

The computer experienced a problem while saving information in its onboard memory chip.

Corrective Action:

1. The most likely cause for this would be a power loss during the programming process. Another possible cause could be a recurring low line voltage condition—See *Er12*.

--

This error should never occur in a Century 2 or Century 4 Changer. If it does, replace the CCC.

Problem (Century 6 only):

The Changer will not accept coins.

Symptom:

The coin equipment is disabled because of a coin related error.

Corrective Action:

1. **If a mechanical coin acceptor is installed, check the coin switch and switch actuator wire for proper operation.** Check for a stuck coin or other object holding the switch closed. Clear the obstruction, and reset the error.
2. **If an electronic coin acceptor is installed, check for a stuck coin or other object in the flight deck.** Check the programming. Verify that if a coin type is enabled at the coin acceptor, it is enabled and the payout for that programmed into the CCC. If an electronic coin acceptor accepts a coin that was not programmed into the CCC, this error code will appear.
3. **Check the wiring between the coin acceptor and the CCC for pinched or shorted wiring.** If in doubt, disconnect the coin acceptor harness at the CCC. Reset the error. If the error does not return, replace the coin acceptor or the coin acceptor harness. If the error does return, replace the CCC.

MISCELLANEOUS PROBLEMS

The following problems may occur in the Bill Changer without causing a fault code.

ERRATIC PAYOUT

Problem:

The changer is not consistently dispensing the correct number of coins.

Symptom:

One vend is short a coin. The next vend contains an extra coin.

Corrective Action:

1. **Check the coin chute on the back of the dispenser.** Most likely, a coin is getting hung up in the dispenser coin chute, after it has been "counted" by the detector, then being shaken loose by a later vend. Check the coin chute for any dirt or obstruction that might cause a coin to hang up.

LARGE NUMBER OF VALID BILLS REJECTED

Problem:

The bill acceptor rejects a large number of valid bills.

Corrective Action:

Refer to the Troubleshooting Chart in the Bill Acceptor Field Service Manual and Parts Catalog included with your Bill Changer.

BILLS JAM FREQUENTLY

Problem:

Bills repeatedly become jammed in the Bill Acceptor transport.

Corrective Action:

Refer to the Bill Jamming Checklist in the Bill Acceptor Field Service Manual and Parts Catalog included with your Bill Changer.

COIN COUNTING PHOTOTRANSISTOR (SENSOR) CHECK

Use the following procedure to check the phototransistor (sensor) in the dispenser coin detector system:

1. Switch the Bill Changer power OFF at the electrical box.
2. Remove the black plastic cover from the phototransistor and connect a common meter lead to the metal dispenser backing plate as shown in Figure 6-1.
3. Connect the positive (+) meter lead to the blue wire (*Figure 6-1, Sensor Check - Blue Wire*).
4. Turn the power switch ON and check to see that the LED is lit. The meter should indicate between 4.7 and 5.2 VDC.

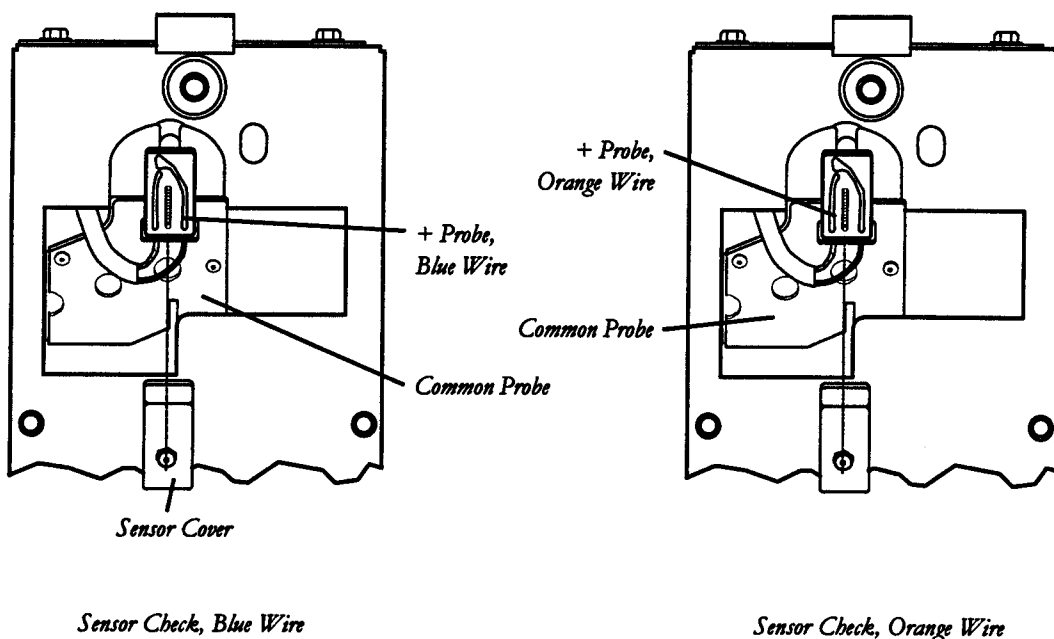
If the meter indication is not correct (between 4.7 and 5.2 VDC), the voltage regulator on the CCC board may need replacement (*see Section 7*). Repair the malfunction before continuing this procedure.

If the meter reading is correct:

5. Move the + meter lead to the orange wire on the phototransistor as shown in *Figure 6-1, Sensor Check - Orange Wire*. The meter should indicate between 3.5 and 5.0 VDC.

If the voltage is less than 3.5 volts, replace the phototransistor board with the correct part number listed in *Section 8: PARTS CATALOG*.

Figure 6-1
Sensor Check



LOW COIN SENSOR ELECTRICAL CHECK

Perform the following procedure to ensure that the Low Coin Sensor is functioning properly.

1. Turn the Bill Changer power to OFF.
2. Remove the hopper and empty it of all coins.

WARNING:

Make sure that the power is OFF before performing the following step.

3. Locate connector P3 on the Changer Control Computer (CCC). Connect a DC voltmeter to P3-5 (GND) and P3-4 (+).
4. Replace the empty hopper and turn Bill Changer power to ON. The voltmeter should read less than +.5 volts DC.
5. Tape 2 x 2 inch piece of aluminum foil around the end of a non-metallic object such as a long plastic ruler or wood stick. Figure 6-3, the Hopper Cleaning Brush is good for this purpose.
6. Place the foil end of the test object *inside* the hopper as close as possible to the location of the sensor (Figure 6-2, Hopper Sensor Area). The voltmeter should now have a reading of no less than 4.3 volts and a maximum of 5.5 volts.

Figure 6-2
Hopper Sensor
Area

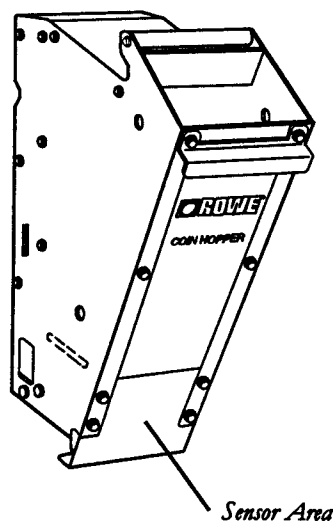
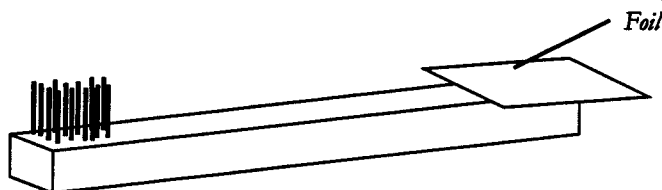


Figure 6-3
Hopper Cleaning
Brush



This page intentionally left blank.

SECTION 7:

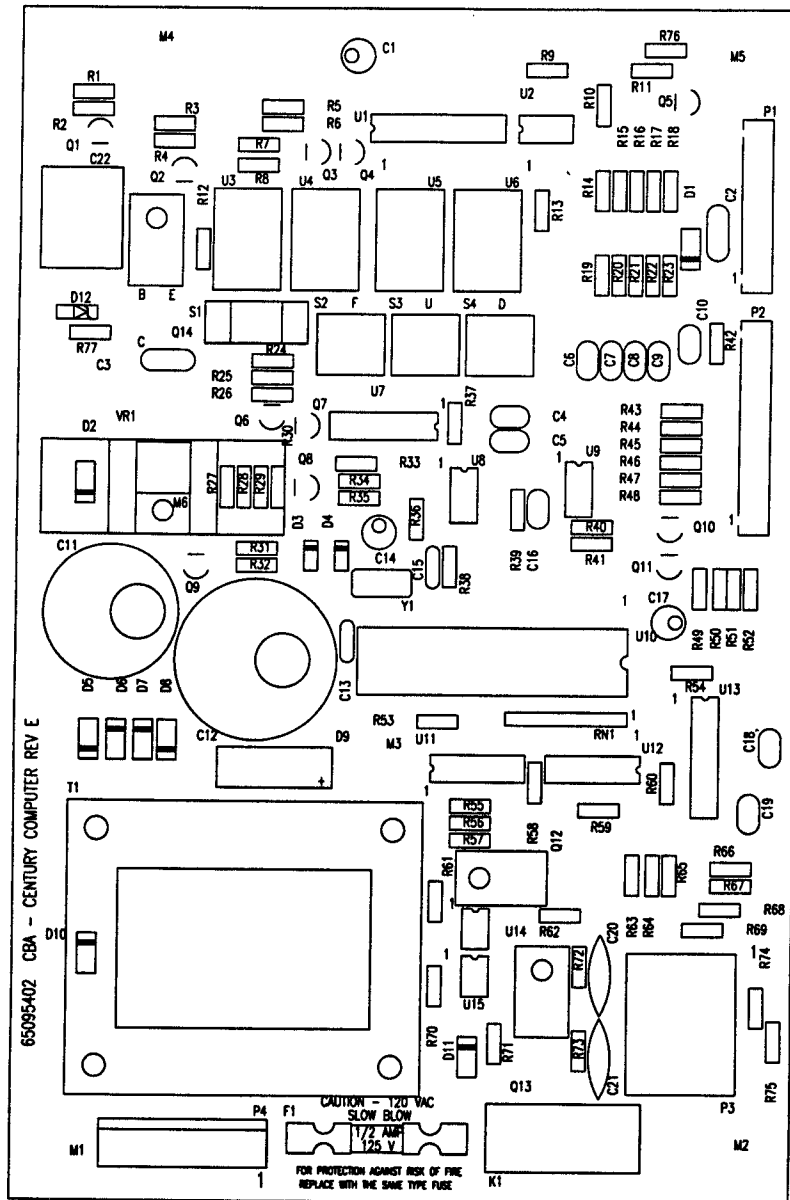
TECHNICAL INFORMATION

INTRODUCTION

The information contained in this section details the electronics found on the Changer Control Computer board, and is not intended for the casual repair person or the novice technician. No attempt should be made to repair the CCC board unless you have had considerable experience troubleshooting and repairing complex, microprocessor controlled electronic circuit boards.

Rowe® recommends that you send any failed CCC boards back to the factory for service.

Figure 7-1
CCC Circuit Board
Layout
65095402



COMPONENTS LIST

CCC CIRCUIT BOARD 65095402 Rev. E

C1	CAPACITOR - ELECTROLYTIC 10 VDC	20%	100 UF	70028128
C2	CAPACITOR - MONOLYTHIC CERAMIC	20%	1 UF	70028521
C3	CAPACITOR - MONOLYTHIC CERAMIC	20%	1 UF	70028521
C4	CAPACITOR - MONOLYTHIC CERAMIC	20%	.1 UF	70028514
C5	CAPACITOR - MONOLYTHIC CERAMIC	20%	.1 UF	70028514
C6	CAPACITOR - MONOLYTHIC CERAMIC	20%	.1 UF	70028514
C7	CAPACITOR - MONOLYTHIC CERAMIC	20%	.1 UF	70028514
C8	CAPACITOR - MONOLYTHIC CERAMIC	20%	.1 UF	70028514
C9	CAPACITOR - MONOLYTHIC CERAMIC	20%	.1 UF	70028514
C10	CAPACITOR - MONOLYTHIC CERAMIC	20%	.1 UF	70028514
C11	CAPACITOR - ELECTROLYTIC 25 VDC	20%	4700 UF	70023613
C12	CAPACITOR - ELECTROLYTIC 50 VDC	20%	2200 UF	70023602
C13	CAPACITOR - MONOLYTHIC CERAMIC	20%	22 PF	70028705
C14	CAPACITOR - ELECTROLYTIC 10 VDC	20%	100 UF	70028128
C15	CAPACITOR - MONOLYTHIC CERAMIC	20%	22 PF	70028705
C16	CAPACITOR - MONOLYTHIC CERAMIC	20%	.1 UF	70028514
C17	CAPACITOR - ELECTROLYTIC 10 VDC	20%	100 UF	70028128
C18	CAPACITOR - MONOLYTHIC CERAMIC	20%	.1 UF	70028514
C19	CAPACITOR - MONOLYTHIC CERAMIC	20%	.1 UF	70028514
C20	CAPACITOR - CERAMIC DISK 1 KV	20%	.01 UF	70022508
C21	CAPACITOR - CERAMIC DISK 1 KV	20%	.01 UF	70022508
C22	CAPACITOR - ELECTROLYTIC 16V LOW ESR	20%	2200 UF	70028311
D1	DIODE - SILICON		1N4004	70035005
D2	DIODE - SILICON		1N4004	70035005
D3	DIODE - SILICON		1N4148	70035012
D4	DIODE - SILICON		1N4148	70035012
D5	DIODE - SILICON		1N4004	70035005
D6	DIODE - SILICON		1N4004	70035005
D7	DIODE - SILICON		1N4004	70035005
D8	DIODE - SILICON		1N4004	70035005
D9	RECTIFIER - BRIDGE		3 AMP	21822503
D10	DIODE - SILICON		1N4004	70035005
D11	DIODE - SILICON		1N4004	70035005
D12	DIODE - ZENER 13V, 1W		1N4743A	70035506
F1	FUSE - SLOW BLOW 1/2 AMP 125V			70072101
K1	RELAY PC BOARD (SPST) 12 VDC			70042410
P1	HEADER - 2.5 MM	12 POS.		70074312
P2	HEADER - 2.5 MM	15 POS.		70074315
P3	HEADER - PC BOARD	12 POS.		30763506
P4	HEADER - POLARIZED .156	8 POS.		70075008
Q1	TRANSISTOR - SILICON PNP		MPSA56	70030104
Q2	TRANSISTOR - SILICON PNP		MPSA56	70030104
Q3	TRANSISTOR - SILICON PNP		MPSA56	70030104
Q4	TRANSISTOR - SILICON PNP		MPSA56	70030104
Q5	TRANSISTOR - SILICON DARLINGTON		TN6725A	70030215
Q6	TRANSISTOR - SILICON NPN		MPSA06	70030008
Q7	TRANSISTOR - SILICON NPN		MPSA06	70030008
Q8	TRANSISTOR - SILICON PNP		MPSA56	70030104

Q9	TRANSISTOR - SILICON NPN	MPSA06	70030008
Q10	TRANSISTOR - SILICON PNP	MPSA56	70030104
Q11	TRANSISTOR - SILICON PNP	MPSA56	70030104
Q12	THYRISTOR - TRIAC	T2500D	70038102
Q13	THYRISTOR - TRIAC	T2500D	70038102
Q14	TRANSISTOR - DARLINGTON NPN	TIP102	70030808
R1	RESISTOR - CARBON FILM 1/4W 5%	10 K	79901103
R2	RESISTOR - CARBON FILM 1/4W 5%	10 K	79901103
R3	RESISTOR - CARBON FILM 1/4W 5%	10 K	79901103
R4	RESISTOR - CARBON FILM 1/4W 5%	10 K	79901103
R5	RESISTOR - CARBON FILM 1/4W 5%	10 K	79901103
R6	RESISTOR - CARBON FILM 1/4W 5%	10 K	79901103
R7	RESISTOR - CARBON FILM 1/4W 5%	10 K	79901103
R8	RESISTOR - CARBON FILM 1/4W 5%	10 K	79901103
R9	RESISTOR - CARBON FILM 1/4W 5%	10 K	79901103
R10	RESISTOR - CARBON FILM 1/4W 5%	2.2 K	79901222
R11	RESISTOR - CARBON FILM 1/4W 5%	10 K	79901103
R12	RESISTOR - CARBON FILM 1/4W 5%	1 K	79901102
R13	RESISTOR - CARBON FILM 1/4W 5%	10 K	79901103
R14	RESISTOR - CARBON FILM 1/4W 5%	4.7 K	79901472
R15	RESISTOR - CARBON FILM 1/4W 5%	4.7 K	79901472
R16	RESISTOR - CARBON FILM 1/4W 5%	4.7 K	79901472
R17	RESISTOR - CARBON FILM 1/4W 5%	4.7 K	79901472
R18	RESISTOR - CARBON FILM 1/4W 5%	4.7 K	79901472
R19	RESISTOR - CARBON FILM 1/4W 5%	100 OHM	79901101
R20	RESISTOR - CARBON FILM 1/4W 5%	100 OHM	79901101
R21	RESISTOR - CARBON FILM 1/4W 5%	100 OHM	79901101
R22	RESISTOR - CARBON FILM 1/4W 5%	100 OHM	79901101
R23	RESISTOR - CARBON FILM 1/4W 5%	100 OHM	79901101
R24	RESISTOR - CARBON FILM 1/4W 5%	4.7 K	79901472
R25	RESISTOR - CARBON FILM 1/4W 5%	4.7 K	79901472
R26	RESISTOR - CARBON FILM 1/4W 5%	10 K	79901103
R27	RESISTOR - CARBON FILM 1/4W 5%	10 K	79901103
R28	RESISTOR - CARBON FILM 1/4W 5%	1 K	79901102
R29	RESISTOR - CARBON FILM 1/4W 5%	1 K	79901102
R30	RESISTOR - CARBON FILM 1/4W 5%	10 K	79901103
R31	RESISTOR - CARBON FILM 1/4W 5%	4.7 K	79901472
R32	RESISTOR - CARBON FILM 1/4W 5%	4.7 K	79901472
R33	RESISTOR - CARBON FILM 1/4W 5%	1 K	79901102
R34	RESISTOR - CARBON FILM 1/4W 5%	1 K	79901102
R35	RESISTOR - CARBON FILM 1/4W 5%	1 K	79901102
R36	RESISTOR - CARBON FILM 1/4W 2%	5.6 K	79902562
R37	RESISTOR - CARBON FILM 1/4W 5%	10 K	79901103
R38	RESISTOR - METAL FILM 1/4W 1%	1 K	799121001
R39	RESISTOR - CARBON FILM 1/4W 5%	1 K	79901102
R40	RESISTOR - CARBON FILM 1/4W 5%	390 OHM	79901391
R41	RESISTOR - CARBON FILM 1/4W 5%	1 K	79901102
R42	RESISTOR - CARBON FILM 1/4W 5%	1 K	79901102
R43	RESISTOR - CARBON FILM 1/4W 5%	220 OHM	79901221
R44	RESISTOR - CARBON FILM 1/4W 5%	220 OHM	79901221
R45	RESISTOR - CARBON FILM 1/4W 5%	1 K	79901102
R46	RESISTOR - CARBON FILM 1/4W 5%	1 K	79901102
R47	RESISTOR - CARBON FILM 1/4W 5%	10 K	79901103
R48	RESISTOR - CARBON FILM 1/4W 5%	10 K	79901103
R49	RESISTOR - CARBON FILM 1/4W 5%	6.8 OHM	79901689

R50	RESISTOR - CARBON FILM 1/4W 5%	10 K	79901103
R51	RESISTOR - CARBON FILM 1/4W 5%	1 K	79901102
R52	RESISTOR - CARBON FILM 1/4W 5%	10 K	79901103
R53	RESISTOR - CARBON FILM 1/4W 5%	10 K	79901103
R54	RESISTOR - CARBON FILM 1/4W 5%	1 K	79901102
R55	RESISTOR - CARBON FILM 1/4W 5%	10 K	79901103
R56	RESISTOR - CARBON FILM 1/4W 5%	10 K	79901103
R57	RESISTOR - CARBON FILM 1/4W 5%	10 K	79901103
R58	RESISTOR - CARBON FILM 1/4W 5%	1 K	79901102
R59	RESISTOR - CARBON FILM 1/4W 5%	10 K	79901103
R60	RESISTOR - CARBON FILM 1/4W 5%	10 K	79901103
R61	RESISTOR - CARBON FILM 1/4W 5%	150 OHM	79901151
R62	RESISTOR - CARBON FILM 1/4W 5%	150 OHM	79901151
R63	RESISTOR - CARBON FILM 1/4W 5%	1 K	79901102
R64	RESISTOR - CARBON FILM 1/4W 5%	4.7 K	79901472
R65	RESISTOR - CARBON FILM 1/4W 5%	4.7 K	79901472
R66	RESISTOR - CARBON FILM 1/4W 5%	1 K	79901102
R67	RESISTOR - CARBON FILM 1/4W 5%	1 K	79901102
R68	RESISTOR - CARBON FILM 1/4W 5%	100 OHM	79901101
R69	RESISTOR - CARBON FILM 1/4W 5%	100 OHM	79901101
R70	RESISTOR - CARBON FILM 1/4W 5%	150 OHM	79901151
R71	RESISTOR - CARBON FILM 1/4W 5%	1.5 K	79901152
R72	RESISTOR - CARBON FILM 1/4W 5%	1.5 K	79901152
R73	RESISTOR - CARBON FILM 1/4W 5%	150 OHM	79901151
R74	RESISTOR - CARBON FILM 1/4W 5%	47 OHM	79901470
R75	RESISTOR - CARBON FILM 1/4W 5%	47 OHM	79901470
R76	RESISTOR - CARBON FILM 1/4W 5%	1.8 OHM	79901189
R77	RESISTOR - CARBON FILM 1/2W 5%	150 OHM	79904151
RN1	RESISTOR NETWORK SIP 5% SIP9	10K X 8	799091030901
S1	SLIDE SWITCH - MICRO MINIATURE		70045001
S2	SWITCH PUSHBUTTON		21773303
S3	SWITCH PUSHBUTTON		21773303
S4	SWITCH PUSHBUTTON		21773303
T1	TRANSFORMER - PC MOUNT		45084403
U1	IC - LED DISPLAY DRIVER	MM5481	30800264
U2	IC - EPROM 128 X 16 SERIAL	93C56	30800263
U3	LED DISPLAY 7 SEGMENT COMMON ANODE		21766708
U4	LED DISPLAY 7 SEGMENT COMMON ANODE		21766708
U5	LED DISPLAY 7 SEGMENT COMMON ANODE		21766708
U6	LED DISPLAY 7 SEGMENT COMMON ANODE		21766708
U7	IC - 1 OF 8 MULTIPLEXER	74HCT151	79930151
U8	IC - UP SUPERVISOR	MAX813L	30800296
U9	IC - DUAL OP AMP	LM358	30800214
U10	MICROCOMPUTER	87C52	70039411
U11	IC - HEX INVERTER OPEN COLLECTOR	74LS05	70037108
U12	IC - HEX INVERTER OPEN COLLECTOR	74LS05	70037108
U13	IC - DRIVER OCTAL SINK	ULN2595A	70036913
U14	IC - OPTOCOUPLER OPTO - TRIAC	IS-3021	70033705
U15	IC - OPTOCOUPLER OPTO - TRIAC	IS-3021	70033705
UX1	SOCKET - IC DIP - 40 (U-10)		70074240
VR1	VOLTAGE REGULATOR - LOW DROPOUT	LM330T-5.0	70036528
Y1	CRYSTAL - QUARTZ 9.216 MHZ		25167323

This page intentionally left blank.

SECTION 8:

PARTS CATALOG

INTRODUCTION	8-3
Catalog Description	8-3
Parts List Description	8-3
Ordering Replacement Parts	8-3

PARTS CATALOG

C-2/4 Door Assembly	8-5
C-2/4 Cabinet Assembly	8-9
C-2/4 Hopper Assembly	8-11
C-2/4 Coin Dispenser Assembly	8-13
C-6 Door Assembly	8-15
C-6 Cabinet Assembly	8-19
C-6 Hopper Assembly	8-21
C-6 Coin Dispenser Assembly	8-23
C-6 Change Bucket Assembly	8-25
Electrical Box Assembly	8-26
Accessory Kits	8-27

This page intentionally left blank.

INTRODUCTION

This parts catalog lists procurable replacement parts for the Century Series Bill Changer. The purpose of this parts catalog is to help you locate and identify replaceable components and supply information on how to order them.

Catalog Description

This catalog is divided into sections (*figures*), which include a parts list and corresponding illustration. Some assemblies require more than one illustration to identify its parts. In this case, each included page has a sheet number to identify it as part of one assembly.

Since replacing parts that are welded or riveted onto an assembly is normally impractical, replacement parts are not listed for these items. The assembly that contains the welded part should be replaced.

Parts List Description

The parts list contains four columns:

- **Reference Number** — The reference number is used to identify a part on the illustration. The abbreviation "Ref" is used in place of a number when items are listed for reference purposes only, or when the item listed is an alternate part.
- **Rowe Part Number** — This column lists the part number to use when ordering replacement parts or making inquiries.
- **Description** — This column gives a description of each part or assembly. Items are indented with a "bullet" (·) to show their relationship to the next higher assembly.
- **Qty** — This column contains the part quantity used in the assembly. When a figure describes more than one model of an assembly, the "Qty" column is divided to show each model.

Ordering Replacement Parts

All replacement parts must be ordered directly from an Authorized Rowe® Distributor.

A Standard Parts Order Form is available from your Rowe® Distributor at no charge. Parts orders are often delayed because of inadequate information on parts order forms. To enable prompt delivery, *always* specify the following information:

- **Part Number and Description** (indicate color, if applicable)
- **Quantity Required**
- **Machine Model and Serial Number**
- **Complete Shipping Address**, including the ZIP code
- **Shipping Instructions** (Must be included). If the shipping method is Parcel Post, Air Parcel Post, United Parcel Service, or Air UPS, and the packages may exceed the size and weight limits of these services, indicate an alternate shipping method.

If the shipment must be delivered as fast as possible, specify "Fastest Way". Rowe® will select the carrier for orders that justify shipment by truck.

Figure 8-1. C-2/4 Door Assembly

Sheet 1

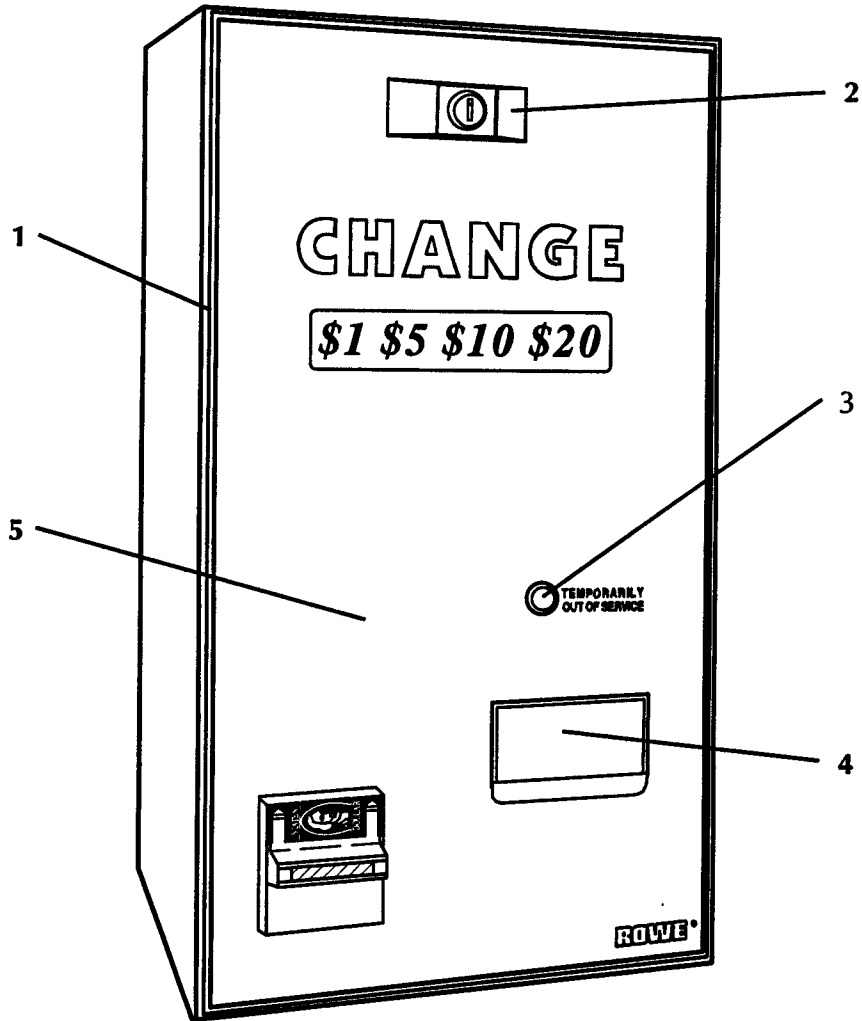


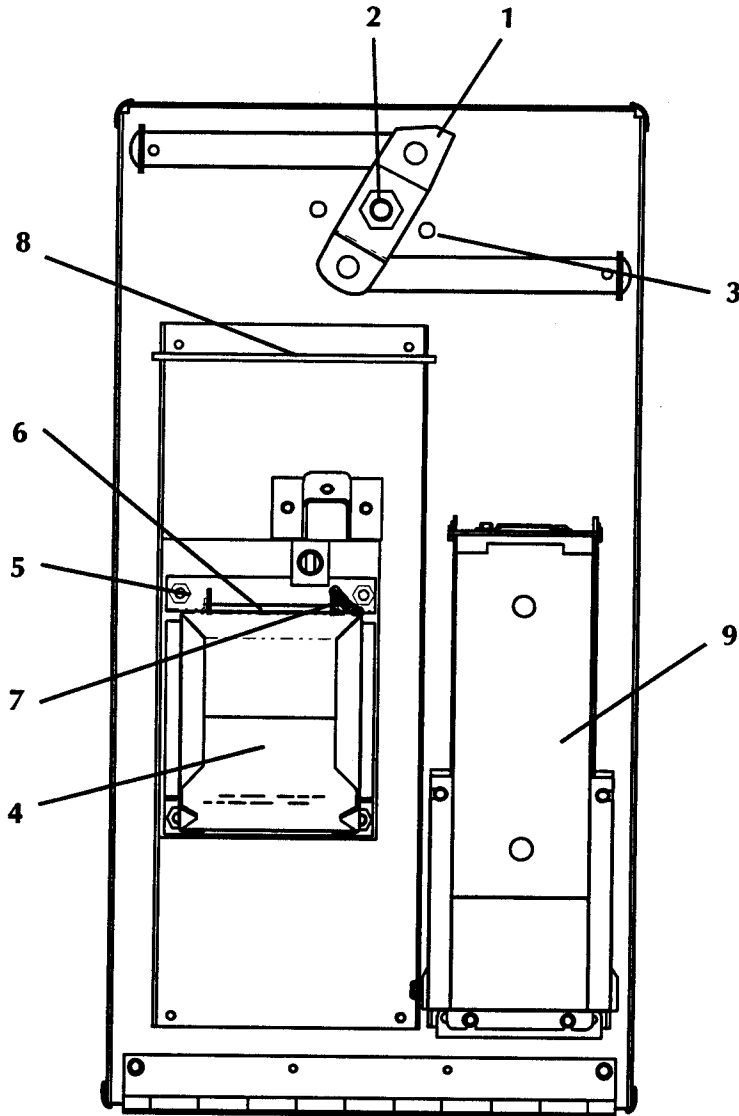
Figure 8-1. C-2/4 Door Assembly, Sheet 1

Ref.	Part No.	Description	Qty
1	65430401	C-2/4 Door Weld Assembly	1
2	47901420	T-Handle Assembly - Pop Out (Without Lock Cylinder and Key)	1
3	25251801	Light - Indicator (Temporarily Out of Service)	1
4	35116901	Door - Change Cup	1
5	45107403	Label - Door (Domestic)	1

Figure 8-1. C-2/4 Door Assembly

Sheet 2

Hopper and Dispenser Removed*



**For Hopper Parts, See Figure 8-3
For Dispenser Parts, See Figure 8-4*

Figure 8-1. C-2/4 Door Assembly, Sheet 2

Ref.	Part No.	Description	Qty
1	35131403	Lockbar Assembly	1
2	21357815	Nut - Elastic Stop (1/2 - 13 UNC)	1
3	70134103	#10-24 Carriage Bolt	2
4	45085601	Cup Assembly - Coin	1
5	35121501	Coin Cup Mounting Bracket	2
6	25239701	Coin Cup Door Shaft	1
7	25181701	Tension Spring	1
8	25253701	Rod - Support.....	1
Bill Acceptor Options			
9	25530230	CBA-2 - \$1 & \$5	1
	65073230	CBA-4 - \$1, \$2, \$5, \$10, & \$20.....	1

Figure 8-2. C-2/4 Cabinet Assembly

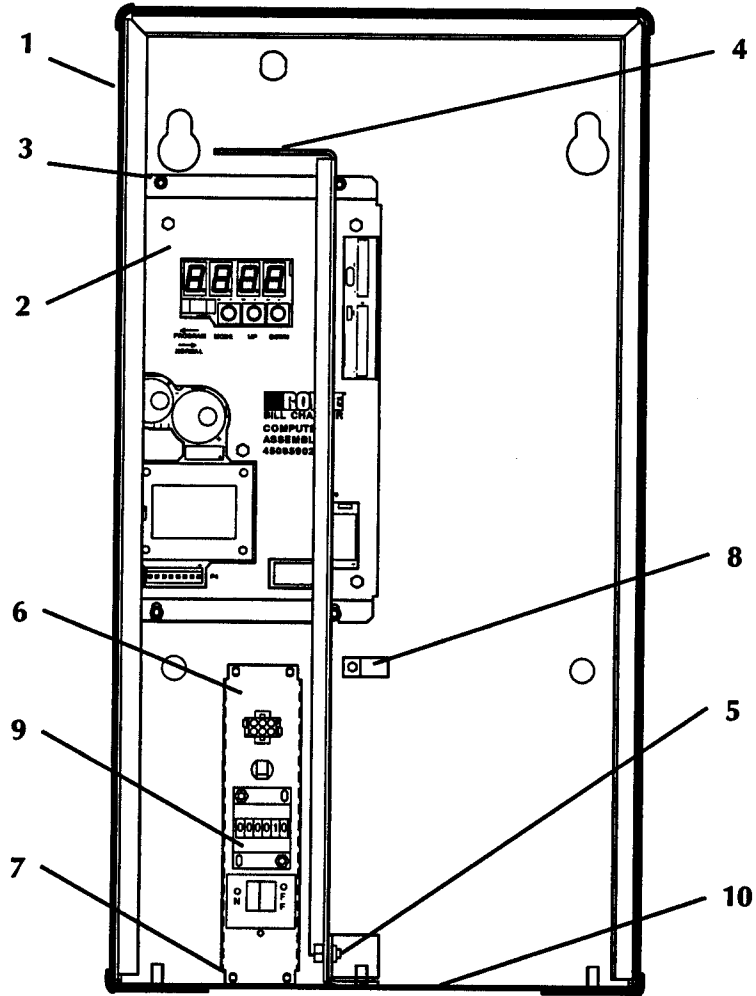


Figure 8-2. C-2/4 Cabinet Assembly

Ref.	Part No.	Description	Qty
1	65430704	• C-2/4 Cabinet Weld Assembly	1
2	45085902	• Computer Assembly	1
	45085205	• • Cover - Computer	1
	65095402	• • Circuit Board Assembly - Computer	1
		(See Section 7 for Circuit Board Layout & Components)	
3	25249102	• Insulation - Base	1
4	65093901	• Catch - Door Position	1
5	25248001	• Standoff - Male	2
6	45085303	• Electrical Box Assembly (See Figure 8-11)	1
7	35132801	• Plate - Electrical Box	2
8	70093403	• Clamp - Cable (1 inch)	1
9	25065710	• Counter Assembly	1
10	25250901	• Spacer - Hinge	2

Parts Not Shown:

35131301	• Power Cord Assembly	1
70232301	• Strain Relief - Right Angle	1
45108101	• Harness Assembly - Dispenser	1
45109102	• Harness Assembly - Power	1
45108206	• Harness Assembly - Computer to CBA2 B.A.	1
45108201	• Harness Assembly - Computer to CBA4 B.A.	1
45108203	• Harness Assembly - Computer to MARS/COINCO B.A.	1
45108204	• Harness Assembly - Power (MARS/COINCO B.A.)	1
45108205	• Harness Assembly - Computer to Cashcode B.A.	1

Figure 8-3. C-2/4 Hopper Assembly

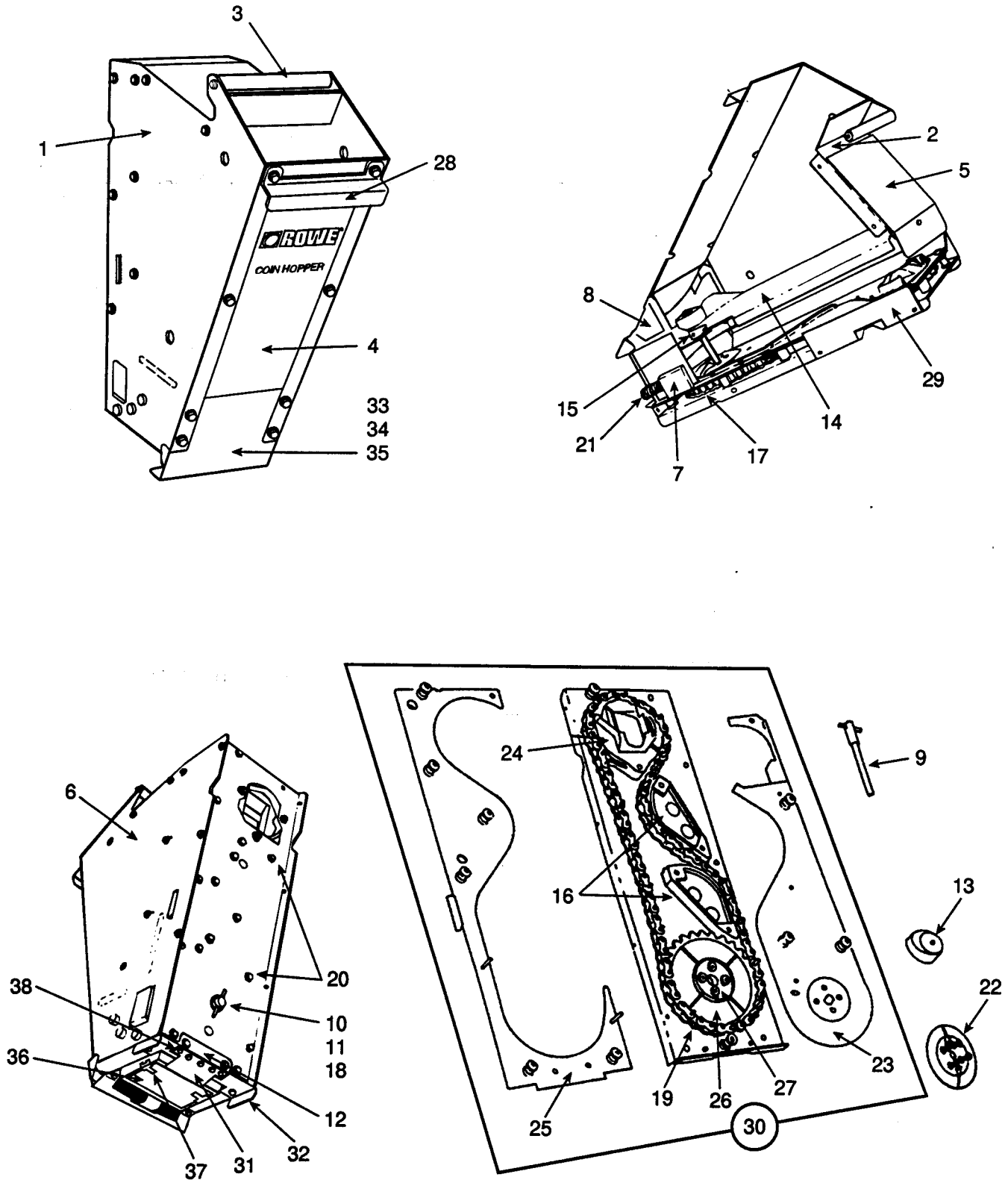


Figure 8-3. C-2/4 Hopper Assembly

Ref.	Part No.	Description	Qty
	65094904	Hopper Assembly (Standard Quarter, Dime, Nickel)	Ref.
	65094905	Large Coin Hopper Assembly	Ref.
	65094906	Large Token Hopper Assembly	Ref.
1	45032401	• L.H. Side Assembly	1
2	45031501	• Top Assembly	1
3	25098101	• Bar Handle	1
4	35044622	• Front Cover	1
	35044623	• Front Cover (Large Coin Hopper Assy.)	1
	35044625	• Front Cover (Large Token Hopper Assy.)	1
5	35133501	• Latch Plate	1
6	45032501	• R.H. Side Assembly	1
7	65028202	• Sliding Funnel	1
8	65027903	• Fixed Funnel	1
9	25113701	• Drive Shaft And Pin Assembly	1
	25113702	• Drive Shaft And Pin Assembly (Large Token Hopper Assy.)	1
10	70120903	• Washer	1
11	70121624	• Spacer	2
12	35048801	• Tie Bracket	1
13	35047201	• Agitator Cam	1
	35047202	• Agitator Cam (\$1 Coin) (Large Coin Hopper Assy.)	1
	35051801	• Agitator Cam (Large Token Hopper Assy.)	1
14	45032101	• Coin Baffle And Stud Assembly (Quarter, Dime, Nickel)	1
	45032102	• Coin Baffle And Stud Assembly (Large Token Hopper Assy.)	1
15	70146006	• Nylon Bearing	1
16	35048501	• Chain Guide	2
17	35060501	• Plate and Post Assembly	1
18	70146021	• Nylon Bearing	1
19	35043703	• Extended Pin Chain	1
	35042703	• Extended Pin Chain (Large Token Hopper Assy.)	1
20	70134109	• Special Screw (Black)	2
21	25113401	• Compression Spring	2
22	45034205	• Coin Agitator	1
	45034204	• Coin Agitator (Large Token Hopper Assy.)	1
23	35044502	• Inner Coin Guide Assembly	1
	35044504	• Inner Coin Guide Assembly (Large Token Hopper Assy.)	1
24	65028803	• Chain Guide Ring	1
25	45031902	• Outer Coin Slide Assembly	1
	45031903	• Outer Coin Slide Assembly (Large Token Hopper Assy.)	1
26	45035601	• Sprocket	1
27	35047101	• Drive Spacer	1
28	25165902	• Hopper Handle	1
29	25226901	• Coin Ramp	1
	<i>This assembly, including items 23 and 25, is available as a replacement part as follows:</i>		
30	47000601	• Coin and Chain Guide Assembly	1
	25071202	• Agitator Assembly - Upper (Coin Hopper)	1
31	45106901	• CBA - Low Coin Sensor	1
32	35142901	• BRKT - Contact MTG	1
33	25553001	• Flattener - Antenna	1
34	70220804	• Tape - Foamed	1
35	45107301	• BRKT - Antenna Cover	1
36	35173901	• Cover - Circuit Board	1
37	21776009	• Fastener - Speed Clip	2
38	25552301	• Spacer - Contact Board	3

Figure 8-4. C-2/4 Coin Dispenser Assembly

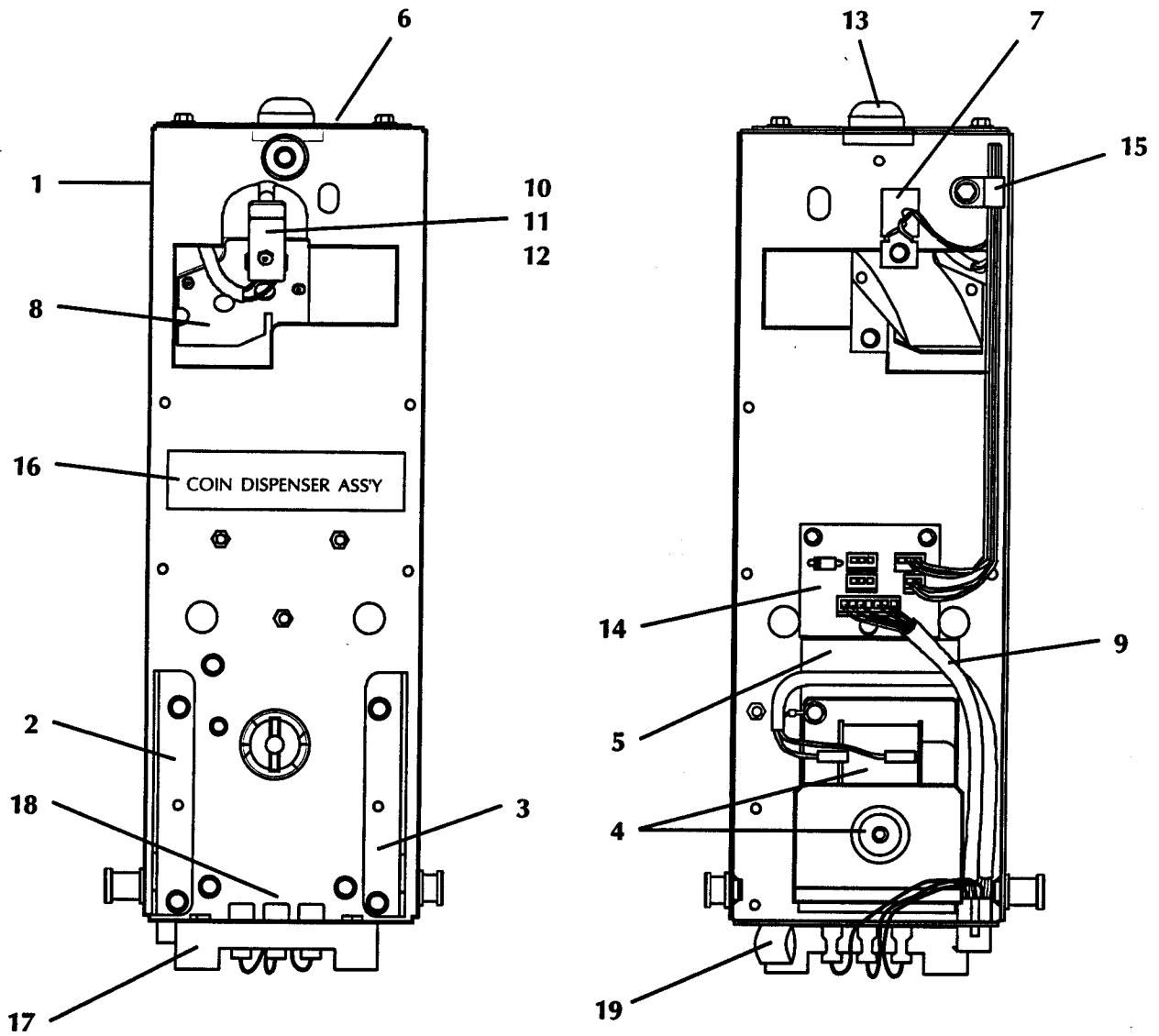


Figure 8-4. C-2/4 Coin Dispenser Assembly

Ref.	Part No.	Description	Qty
	65094804	Dispenser Assembly	
1	45035313	• Frame and Pivot Assembly	1
2	35044701	• Bracket-Mounting (Hopper L.H.)	1
3	35044801	• Bracket-Mounting (Hopper R.H.)	1
4	35049102	• Hopper Drive Motor Assembly	1
	45034102	• • Hopper Drive Motor	1
	45034001	• • Ratchet Coupling	1
	25097701	• • Compression Spring	1
	70110126	• • Groove Pin (1/8 x 3/4)	1
	37004601	• • Gear Box Motor	1
	70120904	• • Nylon Washer	1
5	35046401	• Bracket-Mounting (Motor)	1
6	25112701	• Bumper-Rubber	1
7	45076101	• Holder Assembly - LED	1
	70035315	• • LED	1
8	45035005	• Coin Chute Assembly - Hopper	1
9	65065339	• Harness Assembly - Dispenser	1
10	25175702	• Photo Detector Board and Terminal Assembly	1
11	70121626	• Spacer (Nylon)	1
12	35048202	• Cover-Terminal Board	1
13	25248902	• Holddown Plate Assembly	1
14	45076401	• Circuit Board Assembly - Interconnect	1
15	70093103	• Cable Clamp 1/4	1
16	25189418	• Label - Coin Dispenser	1
17	35142801	• BRKT - Contact MTG (Dispenser)	1
18	25552401	• Board & Spring Contact Assembly	1
19	70093401	• Clamp - Cable 17/32	1

Figure 8-5. C-6 Door Assembly

Sheet 1

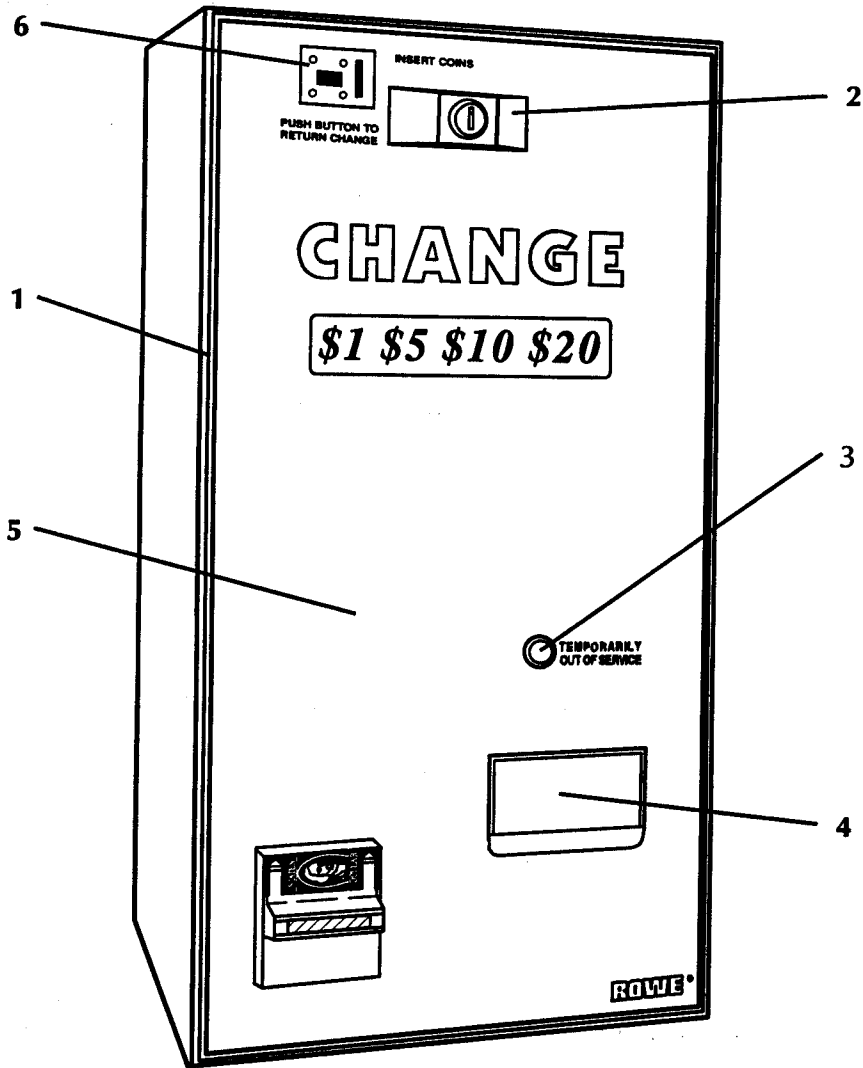


Figure 8-5. C-6 Door Assembly, Sheet 1

Ref.	Part No.	Description	Qty
1	65430403	C-6 Door Weld Assembly	1
2	47901420	T-Handle Assembly - Pop Out (Without Lock Cylinder and Key)	1
3	25251801	Light - Indicator (Temporarily Out of Service)	1
4	35116901	Door - Change Cup	1
5	65431001	Label - Door (C-6 Domestic With Coin Acceptor)	1
	65431003	Label - Door (C-6 Domestic - No Coin Acceptor)	1
6	35143601	Trim Plate (With Coin Acceptor)	1
	35143602	Trim Plate (No Coin Acceptor)	1

Figure 8-6. C-6 Door Assembly

Sheet 2

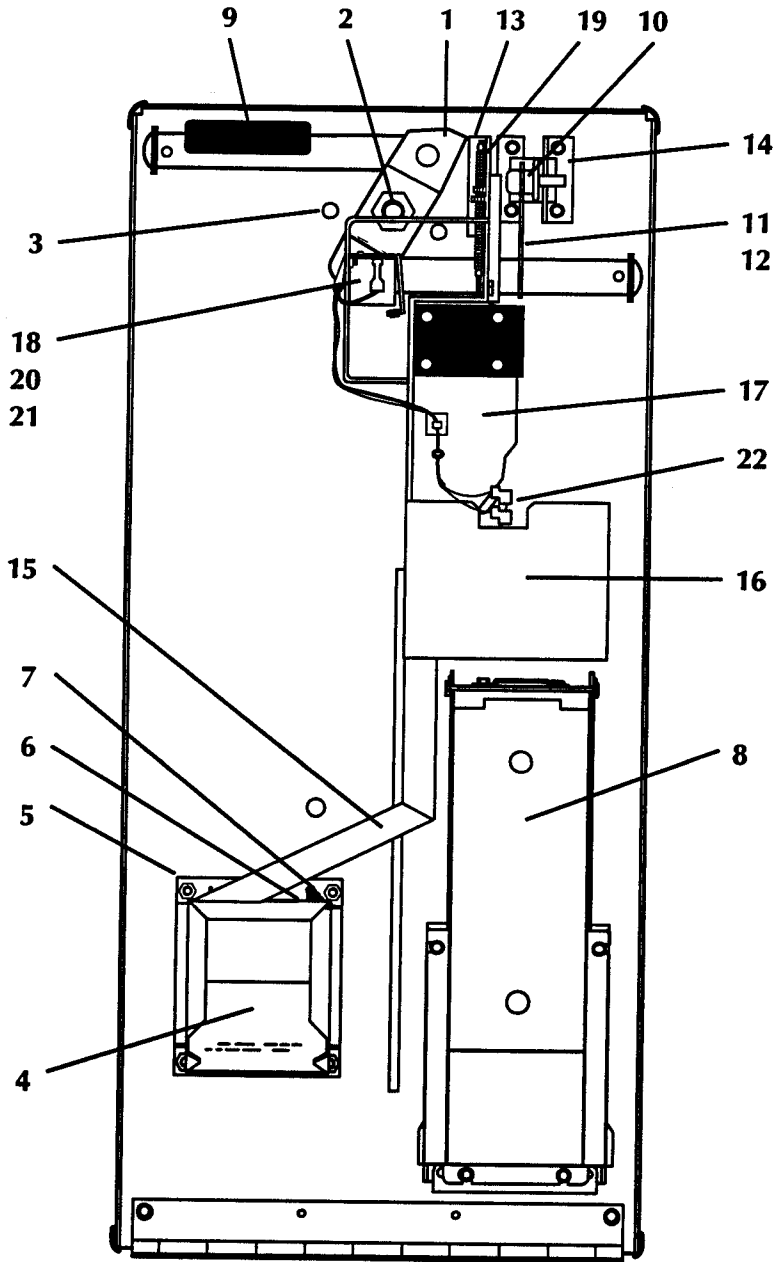


Figure 8-6. C-6 Door Assembly, Sheet 2

Ref.	Part No.	Description	Qty
1	35131404	Lockbar Assembly	1
2	21357815	Nut - Elastic Stop (1/2 - 13 UNC)	1
3	70134103	#10-24 Carriage Bolt	2
4	45085603	Cup Assembly - Coin	1
5	35121501	Coin Cup Mounting Bracket	2
6	25239701	Coin Cup Door Shaft	1
7	25181701	Tension Spring	1
8	65073229	CBA-4 - \$1, \$2, \$5, \$10, & \$20	1
9	25190006	Foam Pad	1
Coin Acceptor Parts			
10	25056504	Button & Blade Assembly - Reset	1
11	35143701	Bracket - Actuator	1
12	70143003	Ring - External Retaining	2
13	45109201	Bracket & Chute Assembly - Coin Acceptor	1
14	25553201	Bracket - Stop (Reject Lever)	1
15	45108601	Chute Assembly - Coin (Reject)	1
16	45108901	Box Assembly - Coin	1
17	30984404	Holder Assembly - Coin Mech	1
18	70093103	Clamp - Cable (1/4)	1
19	21083601	Spring - Tension	1
The Following Parts Used With Mechanical Coin Acceptor Only			
20	35031703	Lockout w/Magnet (IMONEX)	1
21	35174301	Bracket - Magnetic Lockout.....	1
22	21990203	Coin Switch & Bracket Assembly	1
Parts Not Shown:			
45108301		Harness Assembly - Computer to Coin Acceptor (Mechanical).....	1
45108302		Harness Assembly - Computer to MARS 330 Coin Acceptor.....	1
45108303		Harness Assembly - Computer to Coin Controls C120	1
45108304		Harness Assembly - Computer to MICRO Coin S5	1

Figure 8-7. C-6 Cabinet Assembly

Hopper and Dispenser Removed

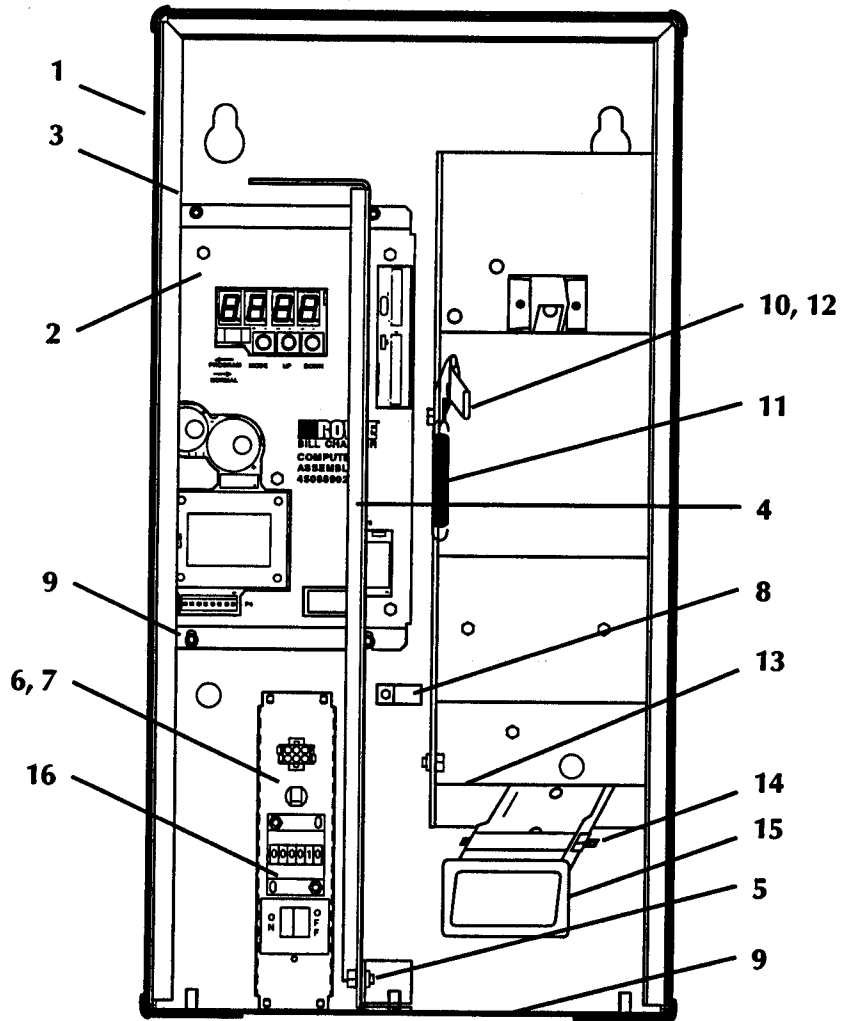


Figure 8-7. C-6 Cabinet Assembly

Ref.	Part No.	Description	Qty
1	65430703	• C-6 Cabinet Weld Assembly	1
2	45085902	• Computer Assembly	1
	45085205	• • Cover - Computer	1
	65095402	• • Circuit Board Assembly - Computer	1
		• (See Section 7 for Circuit Board Layout & Components)	
3	25249102	• Insulation - Base	1
4	65093903	• Catch - Door Position	1
5	25248001	• Standoff - Male	2
6	45085303	• Electrical Box Assembly (See Figure 8-11)	1
7	35132801	• Plate - Electrical Box	2
8	70093403	• Clamp - Cable (1 inch)	1
9	25250902	• Spacer - Hinge	2
10	35110801	• Latch Assembly - Hopper	1
11	25181701	• Tension Spring	1
12	25226801	• Pivot - Latch	1
13	35174401	• Bracket - Mounting Dispenser Chute	1
14	35174501	• Chute - Dispenser	1
15	45109601	• Guard - Coin	1
16	25065710	• Counter Assembly	1

Parts Not Shown:

65092901	• Hi Capacity Hopper Assembly (Small Coins) (See Figure 8-8)	1
65092902	• Hi Capacity Hopper Assembly (Large Coins) (See Figure 8-8)	1
65094805	• Coin Dispenser Assembly (Low Coin) (See Figure 8-9)	1
45108101	• Harness Assembly - Dispenser	1
45109102	• Harness Assembly - Power	1
45108201	• Harness Assembly - Computer to CBA4 B.A.	1
45108203	• Harness Assembly - Computer to MARS/COINCO B.A.	1
45108204	• Harness Assembly - Power (MARS/COINCO B.A.)	1
45108205	• Harness Assembly - Computer to Cashcode B.A.	1

Figure 8-8. C-6 Hopper Assembly

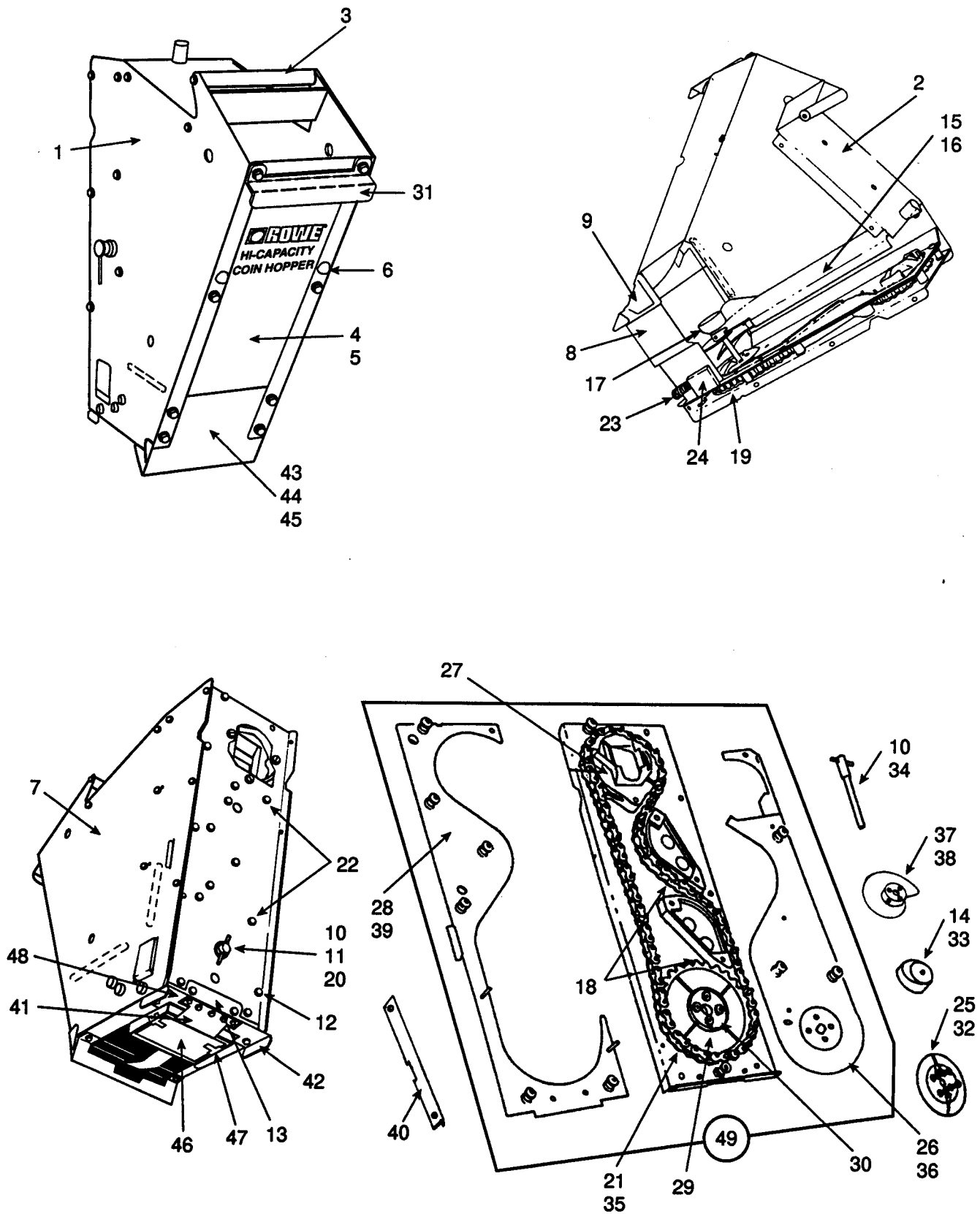


Figure 8-8. C-6 Hi Capacity Hopper Assembly

Ref.	Part No.	Description	Qty
	65092901	Hi-Capacity Hopper Assembly (Small Coins).....	Ref.
	65092902	Hi-Capacity Hopper Assembly (Large Coins).....	Ref.
1	45032403	• L.H. Side Assembly	1
2	35074201	• Top Assembly.....	1
3	25098101	• Hopper Handle	1
4	35044636	• Front Cover (Small Coins)	1
5	35044637	• Front Cover (Large Coins)	1
6	25114701	• Bumper	1
7	45032503	• R.H. Side Assembly	1
8	65027902	• Hopper Funnel (Intermediate)	1
9	65027903	• Fixed Funnel.....	1
10	25113701	• Drive Shaft And Pin Assembly (Small Coins)	1
11	70120903	• Washer	1
12	70121624	• Spacer	2
13	35048801	• Tie Bracket	1
14	35058101	• Agitator Cam (Small Coins).....	1
15	45072101	• Coin Baffle And Stud Assembly (Small Coins)	1
	25224501	• • Baffle And Bracket Assembly	1
16	45072102	• Coin Baffle And Stud Assembly (Large Coins)	1
	25224501	• • Baffle And Bracket Assembly	1
17	70146006	• Nyliner Bearing	1
18	35048501	• Chain Guide.....	2
19	35060501	• Plate and Post Assembly	1
20	70146021	• Nyliner Bearing	1
21	35043703	• Extended Pin Chain (Small Coins).....	1
22	70134109	• Special Screw (Black)	2
23	25113401	• Compression Spring	2
24	65028202	• Sliding Funnel	1
25	45034205	• Agitator (Small Coins)	1
26	35044502	• Inner Coin Guide Assembly (Small Coins)	1
27	65028803	• Chain Guide Ring	1
28	45031902	• Outer Coin Slide Assembly (Small Coins)	1
29	45035601	• Sprocket	1
30	35047101	• Drive Spacer	1
31	25165902	• Hopper Handle	1
32	45034204	• Agitator (Large Coins).....	1
33	35058102	• Agitator Cam (Large Coins)	1
34	25113702	• Drive Shaft and Pin Assembly (Large Coins).....	1
35	35043705	• Extended Pin Chain (Large Coins)	1
36	35044504	• Inner Coin Guide (Large Coins)	1
37	25171202	• Upper Agitator Assembly (Large Coins)	1
38	70113013	• Roll Pin (Large Coins).....	1
39	45031903	• Outer Coin Slide Assembly (Large Coins).....	1
40	25226901	• Coin Ramp (Large Coins).....	1
41	45106902	• CBA Low Coin Sensor (Hi Capacity Hopper)	1
42	35142901	• Bracket - Contact Mounting	1
43	25553001	• Flattener - Antenna	1
44	70220804	• Tape - Foamed	1
45	45107302	• Bracket - Antenna Cover	1
46	35173901	• Cover - Circuit Board	1
47	21776009	• Fastener - Speed Clip	2
48	25552301	• Spacer - Contact Board	3
	<i>This assembly, including items 26, 28, 36 and 39, is available as a replacement part as follows:</i>		
49	47000601	• • Coin and Chain Guide Assembly (Small Coins)	1
	47000602	• • Coin and Chain Guide Assembly (Large Coins)	1

Figure 8-9. C-6 Coin Dispenser Assembly

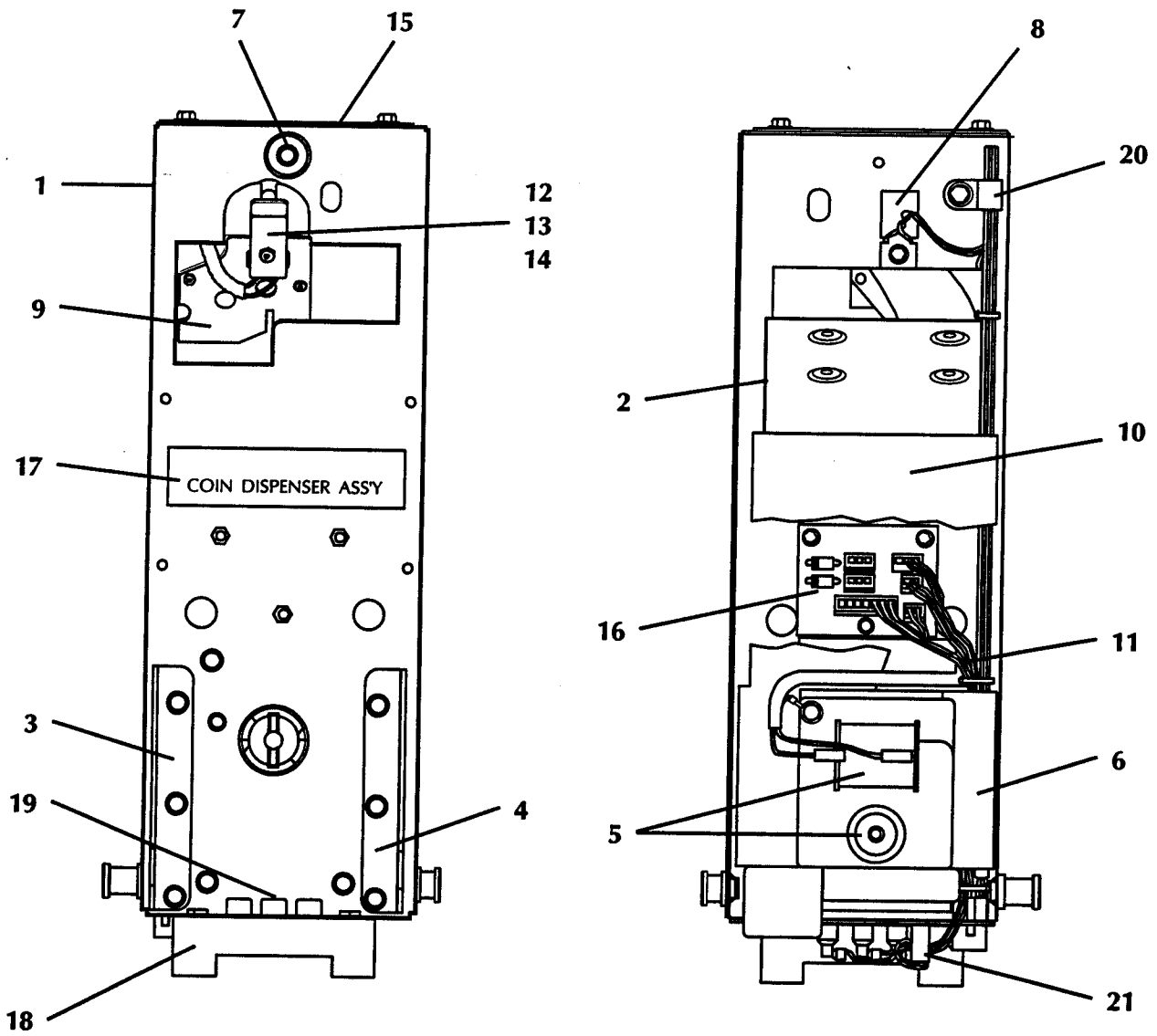


Figure 8-9. C-6 Coin Dispenser Assembly

Ref.	Part No.	Description	Qty
	65094805	Dispenser Assembly	
1	45035313	• Frame and Pivot Assembly	1
2	45032617	• Bucket Assembly - Change (See Figure 8-10)	1
3	35044702	• Bracket-Mounting (Hopper L.H.)	1
4	35044802	• Bracket-Mounting (Hopper R.H.)	1
5	45034102	• Hopper Drive Motor Assembly	1
	45034001	• • Ratchet Coupling	1
	25097701	• • Compression Spring	1
	25151101	• • Extension Coupler - Shaft	1
6	45043601	• Bracket-Mounting (Motor)	1
7	25112701	• Bumper-Rubber	1
8	45076101	• Holder Assembly - LED	1
	70035315	• • LED	1
9	45035005	• Coin Chute Assembly - Hopper	1
10	35068203	• Chute Assembly	1
11	65065341	• Harness Assembly - Dispenser	1
12	25175702	• Photo Detector Board and Terminal Assembly	1
13	70121626	• Spacer (Nylon)	1
14	35048202	• Cover-Terminal Board	1
15	25151702	• Plate - Holddown	1
16	45076404	• Circuit Board Assembly - Interconnect	1
17	25189419	• Label - Coin Dispenser	1
18	35142801	• Bracket - Contact Mtg	1
19	25552401	• Board & Spring Contact Assembly	1
20	70093103	• Clamp - Cable (1/4)	1
21	70093401	• Clamp - Cable (17/32)	1

Figure 8-10. C-6 Change Bucket Assembly

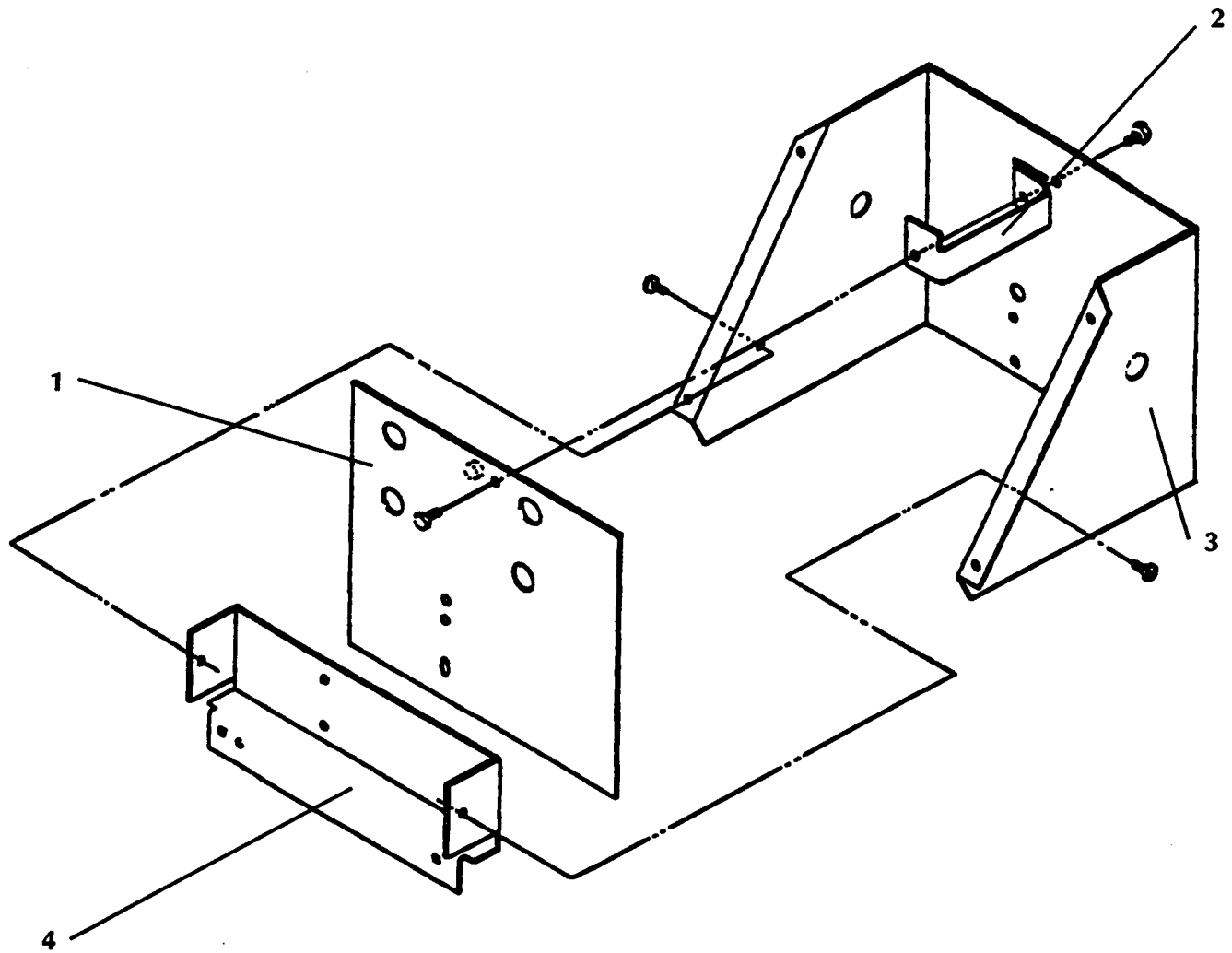


Figure 8-10. C-6 Change Bucket Assembly

Ref.	Part No.	Description	Qty
	45032617	Bucket Assembly - Change	
1	35042003	• Front Plate Assembly	1
2	25112902	• Support Bracket	1
3	45033305	• Bucket Frame Assembly	1
4	25112403	• Coin Chute Mounting Bracket	1

Figure 8-11. Electrical Box Assembly

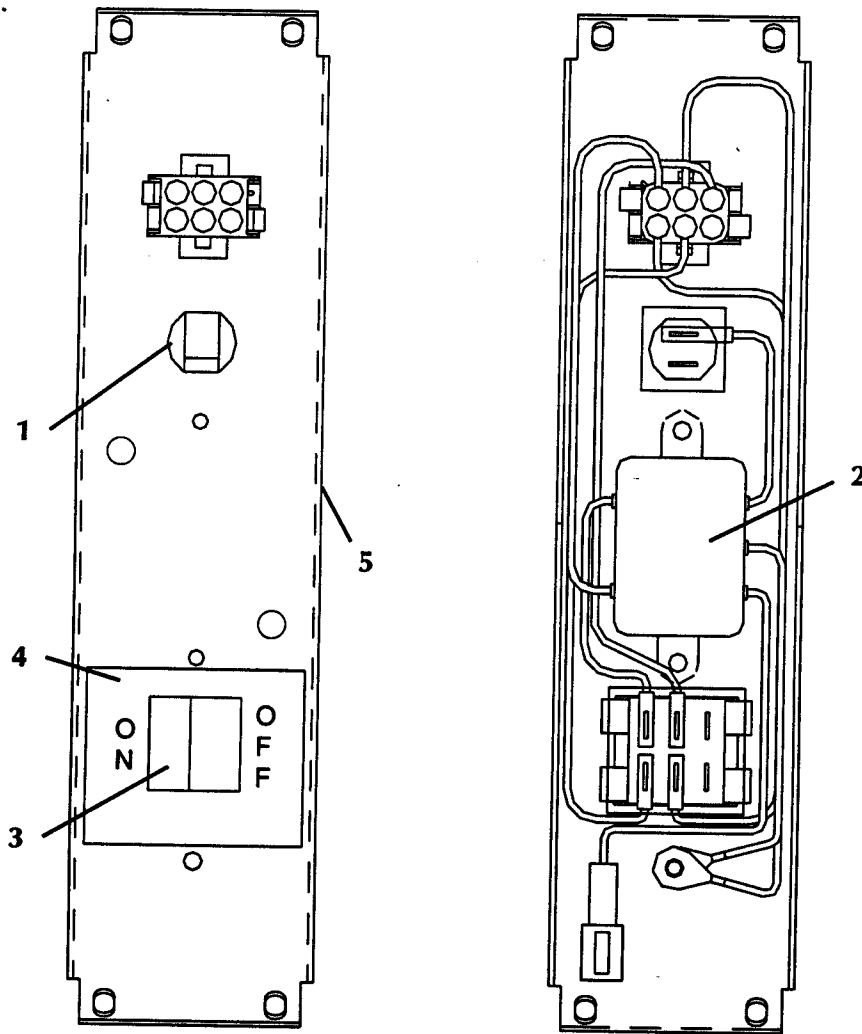


Figure 8-11. Electrical Box Assembly

Ref.	Part No.	Description	Qty
	45085303	Electrical Box Assembly (See Figure 8-2, 8-7)	
1	70073608	• Circuit Breaker (5 Amp)	1
2	35131102	• Filter & Lug Assembly	1
3	30785702	• Rocker Switch (DPST)	1
4	25250101	• Label - On-Off	1
5	45085402	• Box - Electrical	1

C-2/4/6 Accessory Kits

Part No.	Description	Qty.
Heavy Duty Base Kits		
27063602	Heavy Duty Base Kit C-6,	1
27063603	Heavy Duty Base Kit C-2/4	1
Light Duty Base Kits		
27044002	Light Duty Base Kit C-6	1
27044003	Light Duty Base Kit C-2/4	1
Top Filler Kits		
27044101	Top Filler Kit C-2/4	1
27044102	Top Filler Kit C-6	1
Kit-Lock Guard		
27041702	Kit-Lock Guard C-2/4	1
27041703	Kit-Lock Guard C-6	1
Accepted Bills Labels		
35143902	\$1 & \$5	1
35143903	\$1, \$5 & \$10	1
35143904	\$1, \$5, \$10 & \$20	1
35143906	\$5 & \$10	1
35143907	\$5, \$10 & \$20	1

3 5175101 TOKENS

This page intentionally left blank.